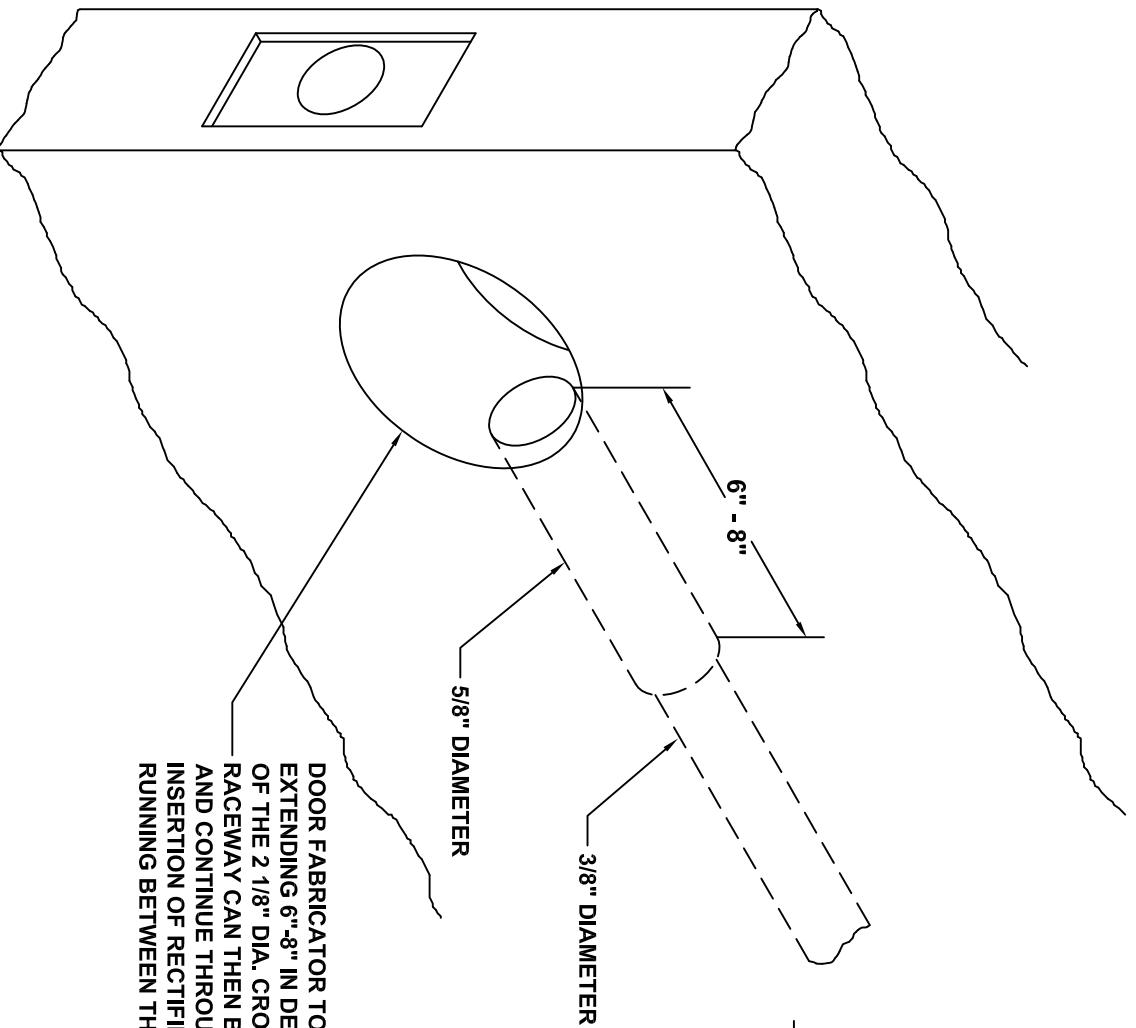
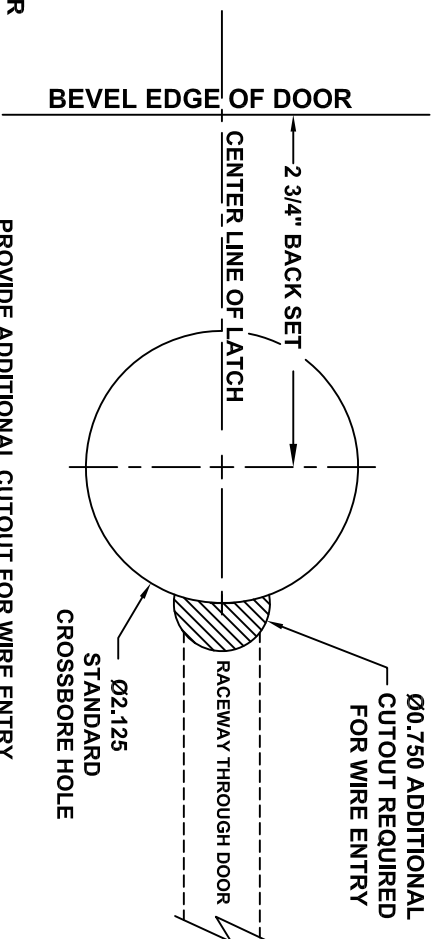


CYLINDRICAL TEMPLATE

FOR USE WITH Z SERIES FSF (FAIL SAFE) AND FSE (FAIL SECURE) ELECTRIFIED CYLINDRICAL LOCKS



DOOR FABRICATOR TO PROVIDE A 5/8" DIA. HOLE EXTENDING 6"-8" IN DEPTH FROM THE BACK EDGE OF THE 2 1/8" DIA. CROSS BORE HOLE. RACEWAY CAN THEN BE REDUCED TO 3/8" DIA. AND CONTINUE THROUGH THE DOOR TO ALLOW INSERTION OF RECTIFIER MODULE AND WIRES RUNNING BETWEEN THE LOCK AND ELECTRIC HINGE.



PROVIDE ADDITIONAL CUTOUT FOR WIRE ENTRY ACCESS TO RACEWAY THROUGH DOOR.

NOTES: 1.) USE STANDARD LOCK TEMPLATING FOR DOOR PREPARATION. PROVIDE ADDITIONAL PREP AS SHOWN FOR ELECTRIC LOCK MODIFICATIONS FOR MODELS FSF AND FSE.