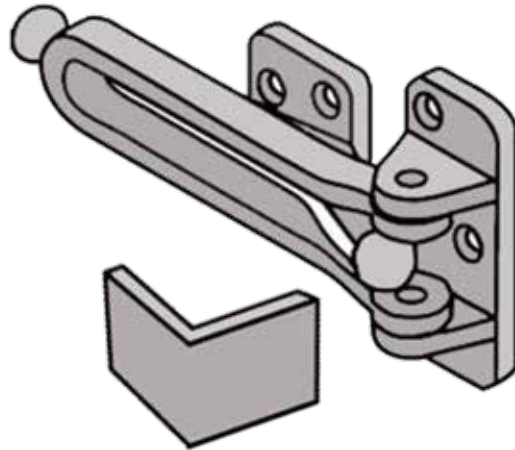


DG-EP DOOR GUARD W/ EDGE PROTECTOR



Specification

Part Number: DG-EP Door Guard w/ Edge Protector

ANSI: ANSI A156.16: L03041

Base Material: Solid cast brass

DG Dimensions: 2 1/2" Height
5 1/8" Length

EP Dimensions: 1/2" Height
1" Width

Fasteners: 3 each #6 x 1 1/2" Oval head sheet metal screws for body
4 each #6 x 3/4" Oval head sheet metal screws for strike