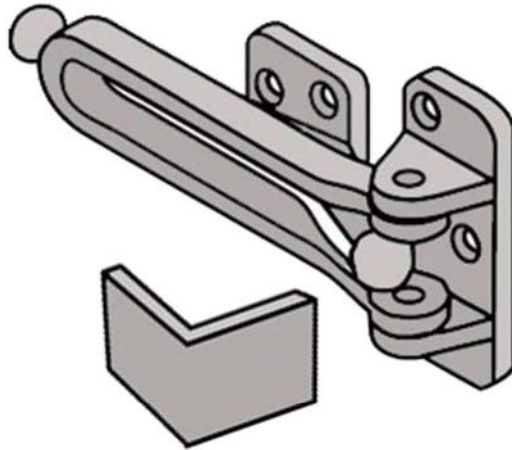


# DG-EP DOOR GUARD W/ EDGE PROTECTOR



## Specification

**Part Number:** DG-EP Door Guard w/ Edge Protector

**ANSI:** ANSI A156.16: L03041

**Base Material:** Solid cast brass

**DG Dimensions:** 2 1/2" Height  
5 1/8" Length

**EP Dimensions:** 1/2" Height  
1" Width

**Fasteners:** 3 each #6 x 1 1/2" Oval head sheet metal screws for body  
4 each #6 x 3/4" Oval head sheet metal screws for strike