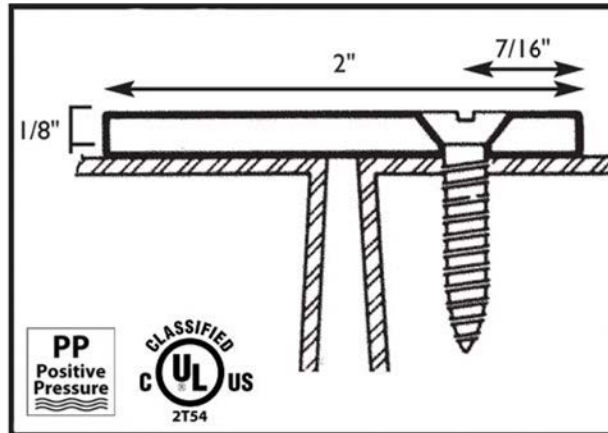


AS-1

OVERLAPPING MEETING STILE ASTRAGAL



Specification

Material: 6063-TS Extruded Aluminum Alloy

Applications: Used at meeting stiles on pairs of doors to help maintain NFPA 80

UL Ratings: Classified by UL and intended for application to hollow metal fire doors rated up to and including 3 hours, and wood doors rated up to 1 1/2 hours

UL Positive Pressure: Fire Rated & Tested to meet UL 10B & UL 10C, UBC7-2, Part 1 & BS476 Smoke Tested & Listed to meet the requirements of Standards UL 1784 UBC7-2, Part II and BS476

Width: 2"

Thickness: 1/8"

Stock Lengths: 84" & 96" (stock)

Non Stock Lengths: 80", 108", 120" (special order)

Stock Finishes: AA= Clear Anodized (stock)
BZ = Bronze Anodized (stock)

Fasteners: #10 x 1" sheet metal screws provided

Warranty: Limited 3 Year