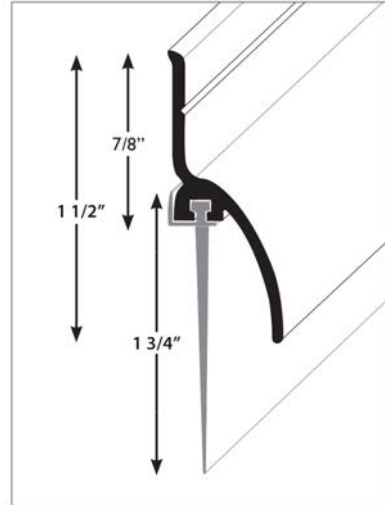


DCSW-V DRIP CAP SWEEP W/ VINYL



Specification

Material: 6063-T5 Extruded Aluminum Alloy

Sweep Material: Heavy duty gray vinyl

UL Rating: Classified by UL and intended for application to hollow metal fire doors rated up to and including 3 hours, and wood doors rated up to 1 1/2 hours

Height: 1 3/4"

Thickness: 1/4"

Stock Lengths: 36" & 48" (stock)

Non Stock Lengths: 32" & 42" (special order)

Stock Finishes: MF= Mill finish (stock)

Non Stock Finishes: BZ = Bronze anodized (special order)

Fasteners: #6 x 5/8" sheet metal screws provided

Warranty: Limited 3 Year