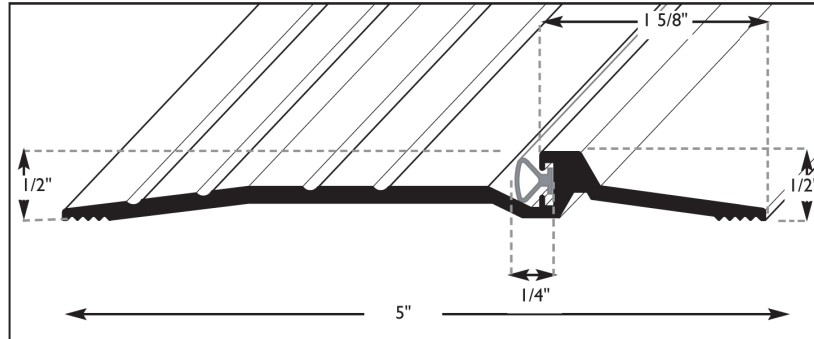


TH5P-ADA 5" ADA PANIC THRESHOLD



Specification

Material: 6063-T5 Extruded Aluminum Alloy

UL Rating: Classified by UL and intended for application to hollow metal fire doors rated up to and including 3 hours, and wood doors rated up to 1 1/2 hours

UL Positive Pressure: Fire Rated & Tested to meet UL 108 & UL IOC, UBC7-2, Part 1 & BS476
Smoke Tested & Listed to meet the requirements of Standards
UL 1784 UBC7-2, Part II and 8S476

ADA: Meets ANSI A117 .1 accessibility codes

Width: 5"

Height: 1/2"

Stock Lengths: Stocked as 36" & 48" Mill finish (cut 1/2" over)

Non Stock Lengths: Special order: 32" (cut 1/2" over)
Special order: 48", 60", 64", 72", 84" & 96" (cut 1" over)

Stock Finishes: MF= Mill finish (stock)

Non Stock Finishes: BZ = Bronze anodized (special order)

Fasteners: #10 Phillips wood screws provided

Warranty: Limited 3 Year