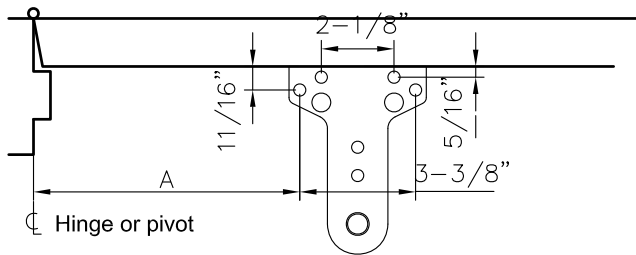
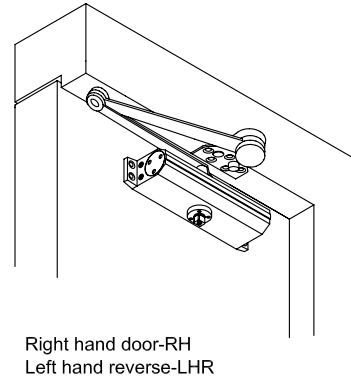
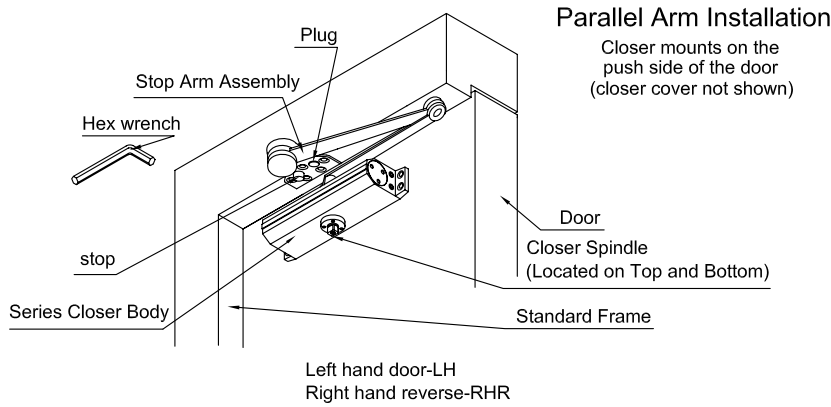


116 Heavy Duty Arm with Dead Stop Installation Instructions



Do not scale drawing
Left hand door shown
Dimensions are in inches

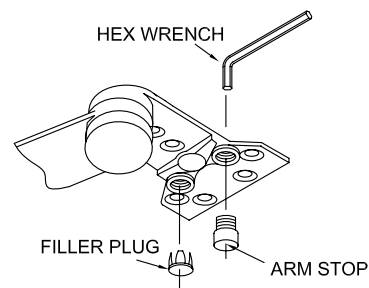
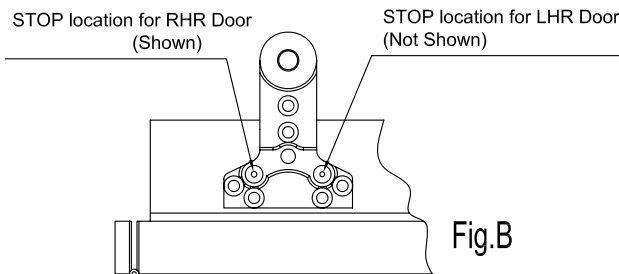
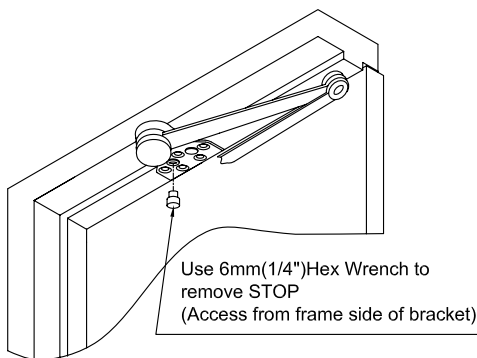
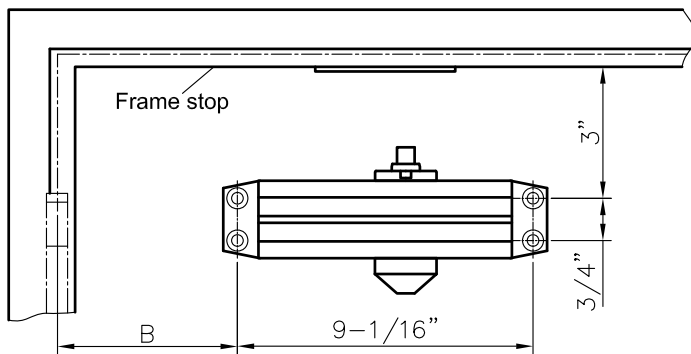
Dim"A"	Dim"B"	Door opening with Stop	Door opening without Stop
8-1/2"	6-1/2"	90°Max	100°
6-3/4"	4-3/4"	110°Max	101°—150°

*Door/Wall/Hardware/Jamb conditions permitting

INSTRUCTIONS

1. Select degree of opening and use dimensions shown to locate 4 holes on door for closer body and 4 holes on underside of frame for PA plate.
 2. Prepare door and frame for fasteners
- NOTE: Be Sure the speed regulating valves are toward the lock stile of door.
3. Before installing closer body, set spring power for door using Power adjustment on 116 installation sheet.
 4. Install closer body on door with power adjustment nut towards the hinge. The Heavy Duty Arm with Deadstop accommodates both RH/LHR and LH/RHR applications. Be sure to check that the STOP is located in the proper hole for your application. If the STOP needs to be relocated use 1/4" hex wrench to remove the STOP and HOLE PLUG and then swap their positions. (Fig.B)
 5. Mount PA plate to frame using 4 mounting screws.
 6. Use adjustable wrench to rotate spindle 45 degrees towards the hinge side of door and place main arm on spindle. Secure arm to closer by installing and tightening spindle bolt.
 7. Adjust closer and install cover.

NOTE: If the arm will not flex enough to get in onto the spindle, loosen the screws holding the PA plate to the frame soffit. This will provide the needed flexibility to seat the arm on the closer spindle.



Not to scale 1:1. Measurements are for reference only. Not a drilling template.