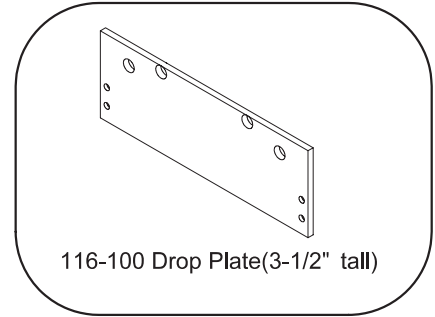
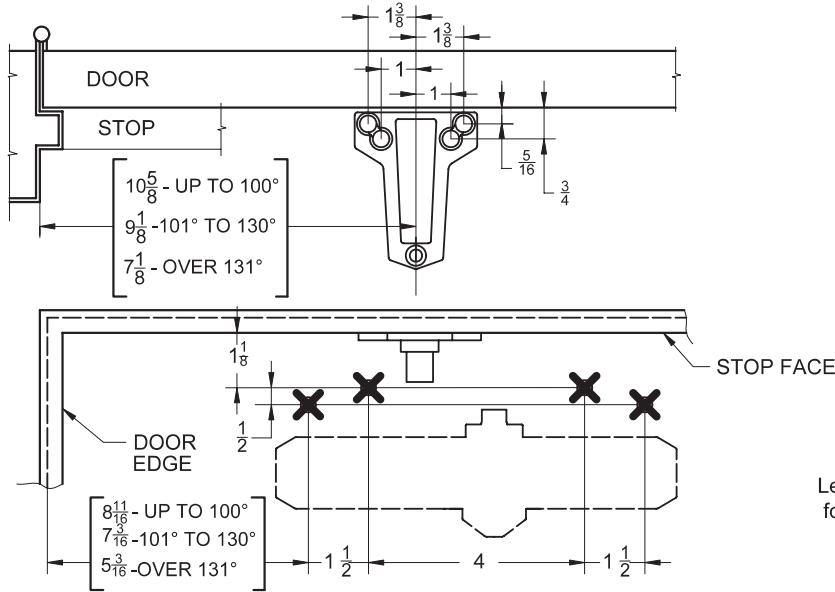


**116-100 Series Push Side Drop Plates**  
**Allows 180° Maximum Opening, Maximum Hinge Size 5" X5"**

**116/100 Series Push Side Mount:  
 116/100 Series Drop Plate**

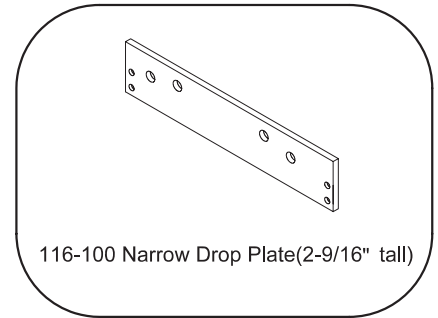
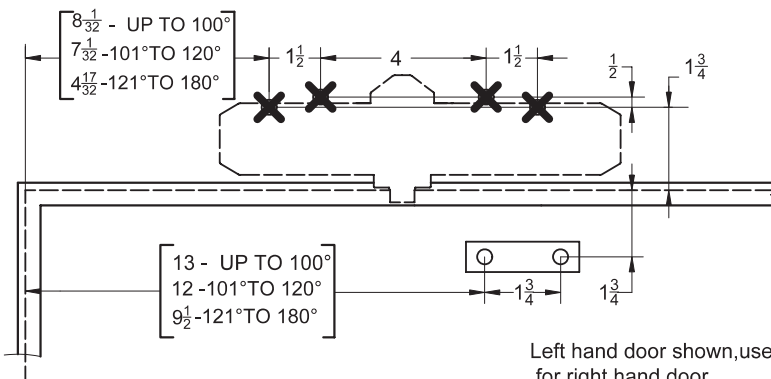


116-100 Drop Plate(3-1/2" tall)

Left hand door shown, use opposite for right hand door

**116-100 Series Push Side Top Jamb Drop Plates**  
**Allows 120° Maximum Opening, Maximum Hinge Size 5" X5"**

**116/100 Series Push Side Mount:  
 116/100 Series Narrow Drop Plate**

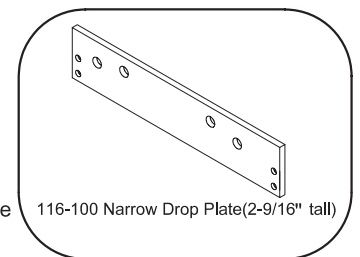
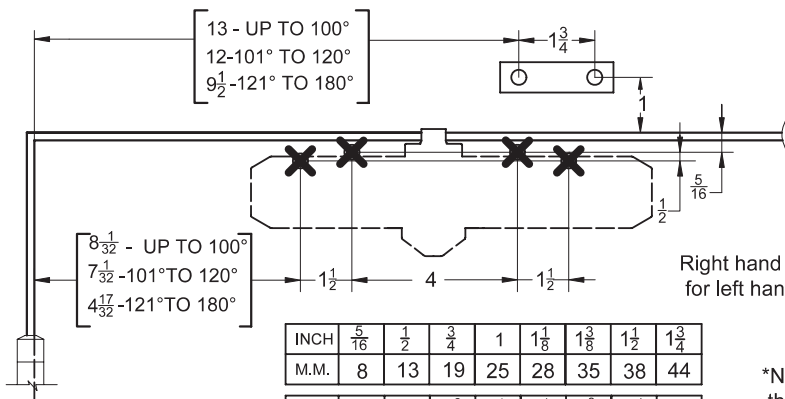


116-100 Narrow Drop Plate(2-9/16" tall)

Left hand door shown, use opposite for right hand door

**116-100 Series Push Side Door Jamb Drop Plates**  
**Allows 120° Maximum Opening, Maximum Hinge Size 5" X5"**

**116/100 Series Push Side Mount:  
 116/100 Series Narrow Drop Plate**



116-100 Narrow Drop Plate(2-9/16" tall)

Right hand door shown, use opposite for left hand door

INCH	5/16	1/2	3/4	1	1 1/8	1 3/8	1 1/2	1 3/4
M.M.	8	13	19	25	28	35	38	44
INCH	4	4 1/32	5 3/16	7 1/32	7 1/8	7 3/16	8 3/32	8 11/16
M.M.	102	115	131	178	181	182	204	220
INCH	9 1/8	9 1/2	10 5/8	12	13			
M.M.	232	241	270	304	330			

\*Note: If offset pivots are used, increase these dimensions by 1/8".