

2000V Surface Vertical Rod Exit Device Template



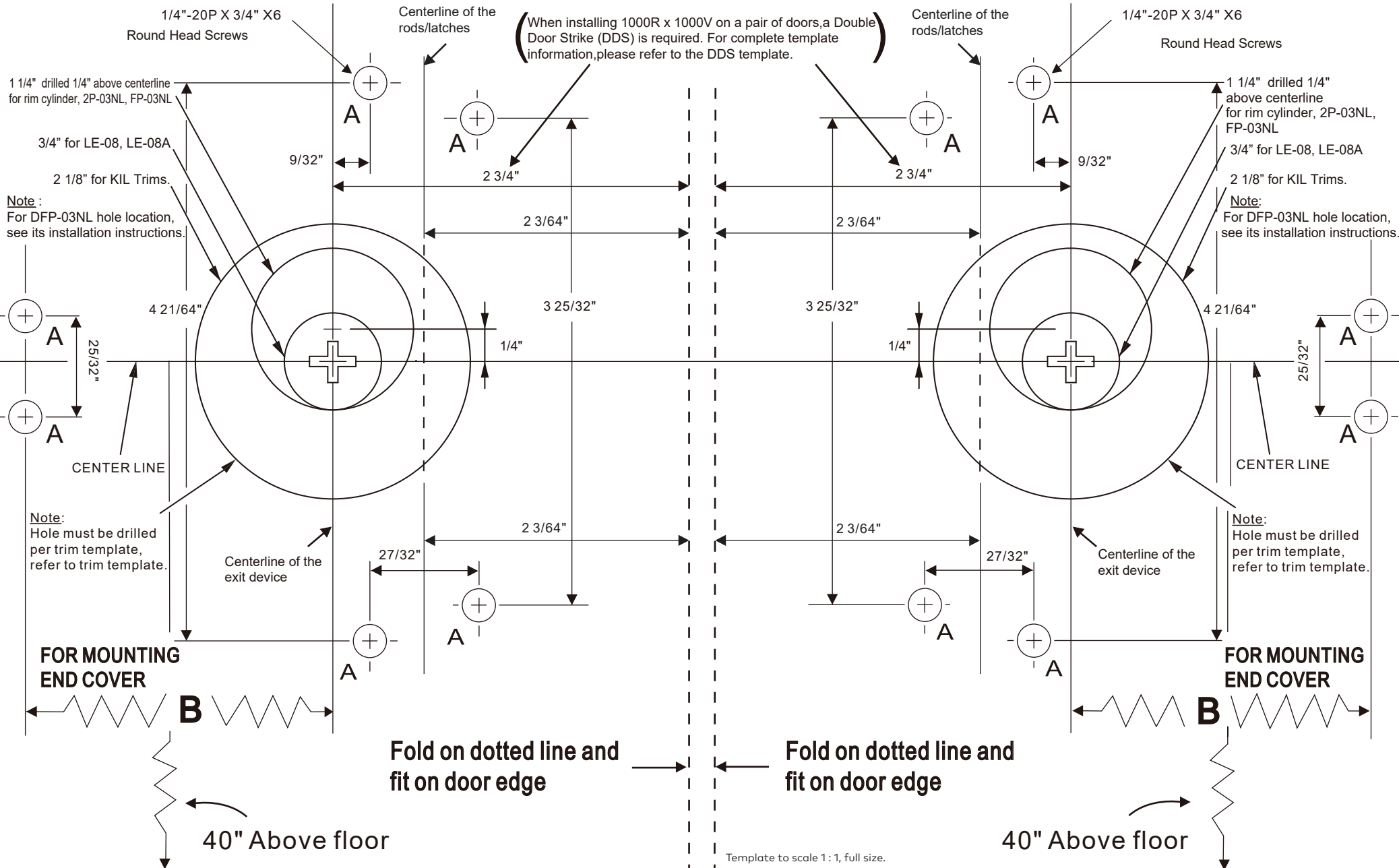
(A) For 2000V series (UL Listed)-Drill & tap for (6) 1/4"x20P X3/4" machine screws for exit device
 Drill (6) 3/16" pilot holes for self tapping machine screws or wood screws for exit device.

(B) For F2000V (Fire Rated)-Drill 9/32" holes inside and 3/8" holes outside for the (6) thru bolts.

TEMPLATE (A)

FOR RIGHT HAND DOOR INSTALLATION

FOR LEFT HAND DOOR INSTALLATION



TEMPLATE (B-1)

(A) For 2000V series (UL Listed)-drill & tap for (3) 1/4"x20P X3/4" machine screws (2xD,E) for latches.
Drill (3) 3/16" pilot holes (2xD,E) for self-tapping machine screw or wood screws for latches.

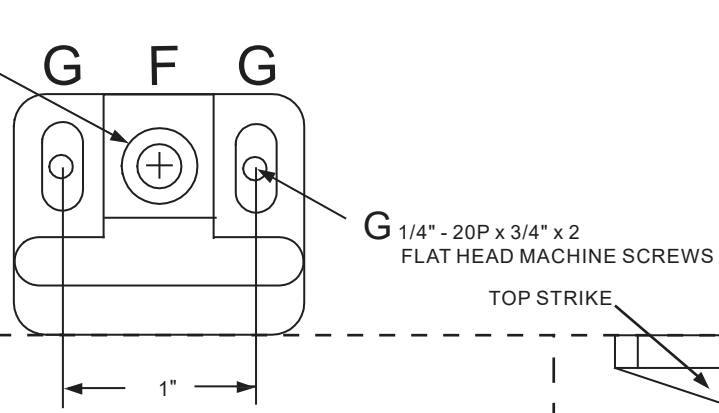
(B) For F2000V (Fire Rated)-drill 9/32" holes (2xD,E) inside and 3/8" holes (2xD,E) outside for the (3) thru bolts.

F 1/4" - 20P x 3/4" x 1
FLAT HEAD MACHINE SCREW

CAUTION :

Drill " F " hole after latch bolt properly works

FOLD REVERSELY FOR TOP STRIKE INSTALLATION



TOP STRIKE

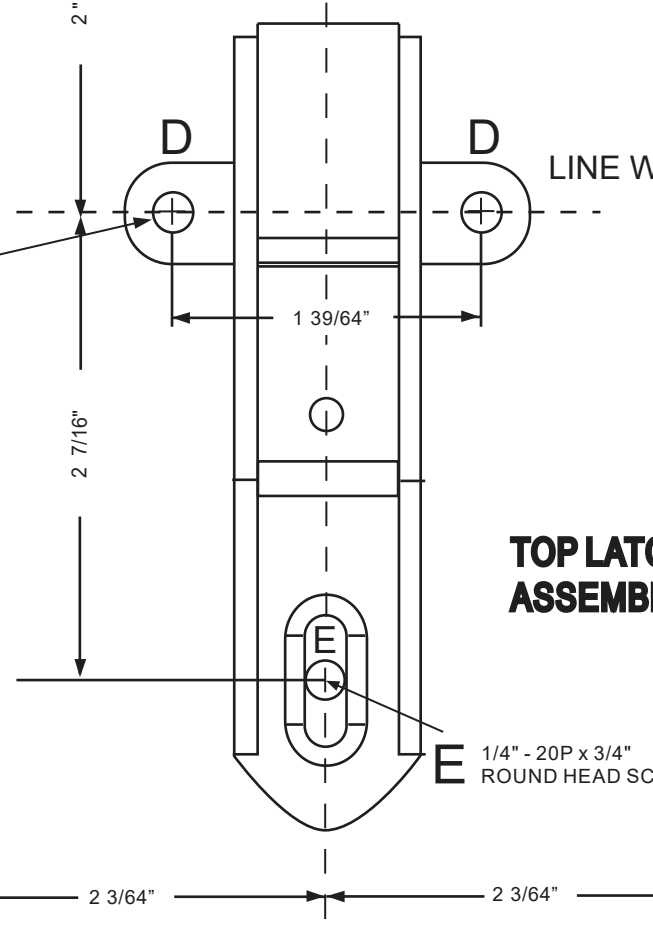
FRAME STOP

FOLD ON DOTTED LINE AND FIT ON DOOR FRAME

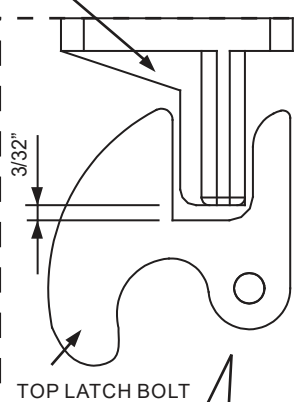
CAUTION:

BE SURE THE DISTANCE FROM DOOR FRAME TO LINE W MUST BE 2"

D 1/4" - 20P x 3/4" x 2
ROUND HEAD SCREW



LINE W



TOP LATCH BOLT

CAUTION :
Adjust the location of the top latch assembly and top latch base so there is 3/32" space between top strike and inside of top latch.

TOP LATCH ASSEMBLY

DOOR EDGE

DOOR EDGE

E 1/4" - 20P x 3/4"
ROUND HEAD SCREW

- Note : When installing top latch assembly
1. Drill (1) E hole and install screw but do not tighten all the way.
 2. Make sure distance from door frame to line W is 2".
 3. Drill (2) D holes and install and tighten screws.
 4. Tighten screw in hole E all the way.

Centerline of the rods/latches

Template to scale 1 : 1, full size.

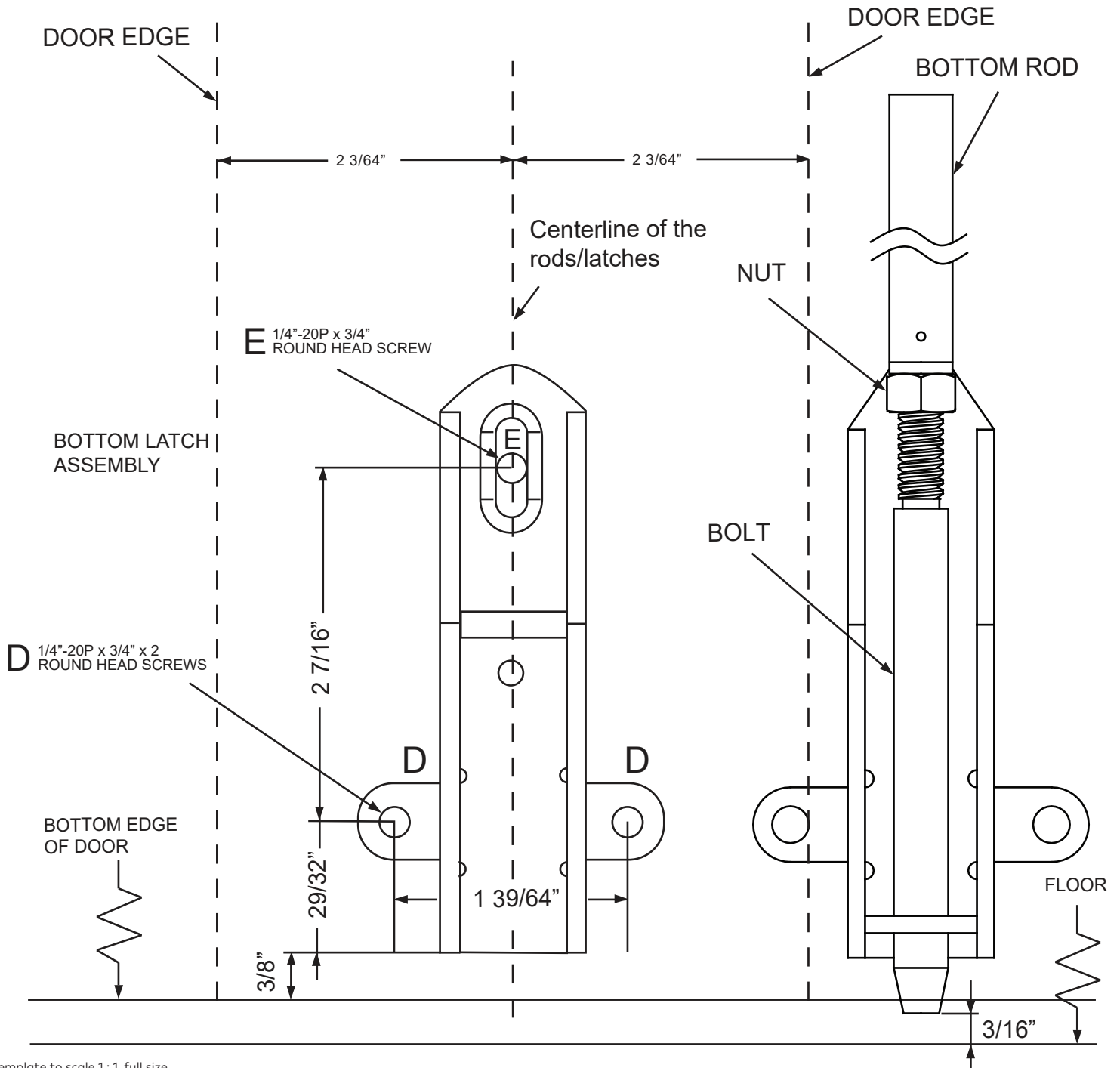
TEMPLATE (B-2)

(A) For 2000V Series (UL Listed)-Drill & tap for (3) 1/4"-20P x 3/4" machine screws (2xD,E) for latches. Drill (3) 3/16" pilot holes (2xD,E) for self-tapping machine screws or wood screws for latches.

(B) For F2000V (Fire Rated)-Drill 9/32" holes (2xD,E) inside and 3/8" holes (2xD,E) outside for the (3) thru bolts.

Note : When installing top latch assembly :

1. Drill (1) E hole and install screw but do not tighten all the way.
2. Drill (2) D holes and install and tighten screws.
3. Tighten screw in hole E all the way.



Template to scale 1 : 1, full size.