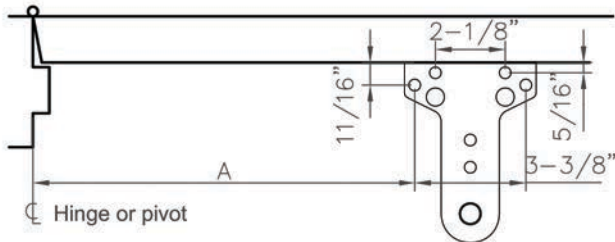
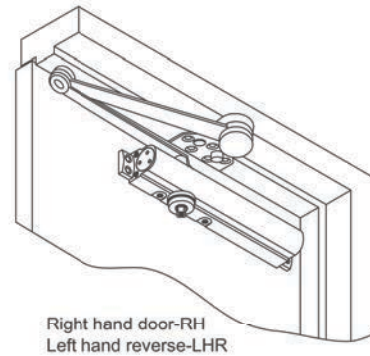
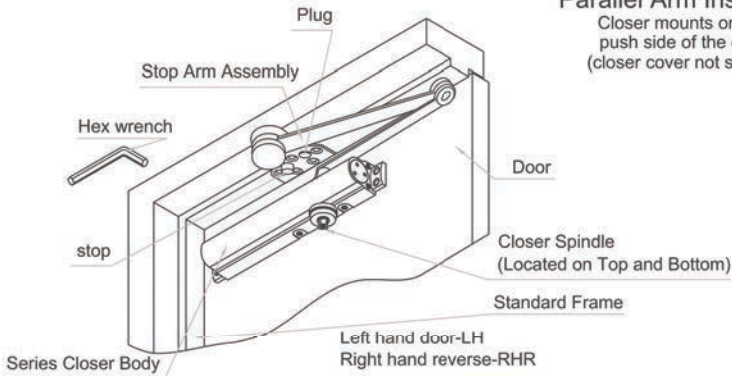


316 Heavy Duty Arm with Dead Stop Installation Instructions

Parallel Arm Installation

Closer mounts on the push side of the door (closer cover not shown)



Do not scale drawing
Left hand door shown
Dimensions are in inches

Dim"A"	Dim"B"	Door opening with Stop	Door opening without Stop
8-3/4"	3-1/2"	85°Max	90°
6-1/2"	1-1/4"	110°Max	101°-150°

*Door/Wall/Hardware/Jamb conditions permitting

INSTRUCTIONS

1. Select degree of opening and use dimensions shown to locate 4 holes on door for closer body and 4 holes on underside of frame for PA plate.
2. Prepare door and frame for fasteners. See "Preparation for Fasteners"

Preparation for Fasteners		
Fasteners	Door or Frame	Drill-Sizes
Self Drilling/Tapping Machine Screw	Hollow Metal or Aluminum	No drill required
	Wood(see note)	3/16" pilot hole
1/4"-20 Machine Screw	Hollow Metal	Drill #7 (0.201" dia.) & Tap 1/4"-20
1/4"-20 Machine Screw used with Through Bolt	Hollow Metal or Aluminum	9/32" drill closer side & 3/8" drill opposite side
	Wood	
Wood Screw	Wood	3/16" pilot hole

NOTE: Wood doors/frames must have a pilot hole drilled when using Self Drilling /Tapping screws.

3. Before installing closer body, set spring power for door using Power adjustment chart below.

Preparation Adjustment Chart		
door size inches	Full clockwise turns of closer power adjustment nut (from "0" turns)	
	316 series only	
	interior door	exterior door
24"-30"	-7	-5
30"-34"	-3	0
34"-38"	0	4
38"-48"	4	8
48"-54"	8	13
54"-60"	13	

NOTE: Maximum of 20 turns (360°) of power adjustment Nut.Closer is shipped set at 7 turns from the factory

4. Install closer body on door with power adjustment nut towards the hinge. The Heavy Duty Arm with Deadstop accommodates both RH/LHR and LH/RHR applications. Be sure to check that the STOP is located in the proper hole for your application.If the STOP needs to be relocated use 1/4" hex wrench to remove the STOP and HOLE PLUG and then swap their positions.(Fig.B)
5. Mount PA plate to frame using 4 mounting screws.
6. Use adjustable wrench to rotate spindle 45 degrees towards the hinge side of door and place main arm on spindle. Secure arm to closer by installing and tightening spindle bolt.
7. Adjust closer and install cover.

NOTE: If the arm will not flex enough to get in onto the spindle, loosen the screws holding the PA plate to the frame soffit. This will provide the needed flexibility to seat the arm on the closer spindle.

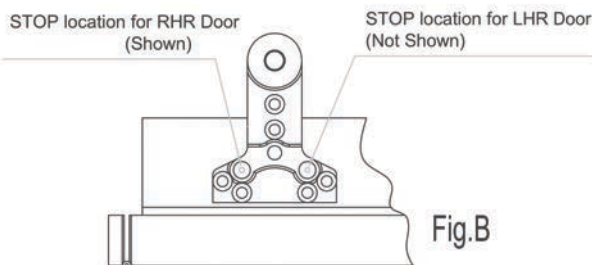
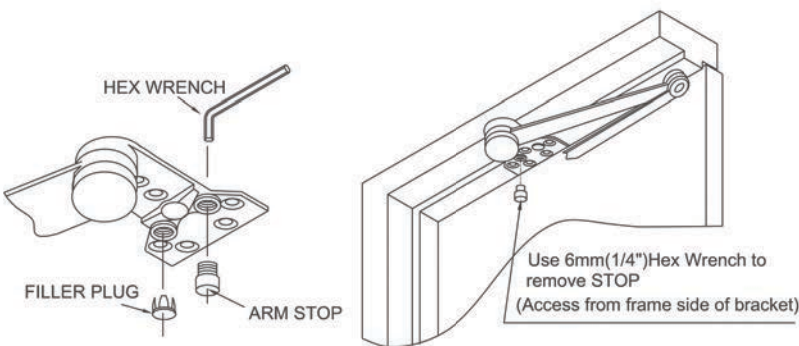
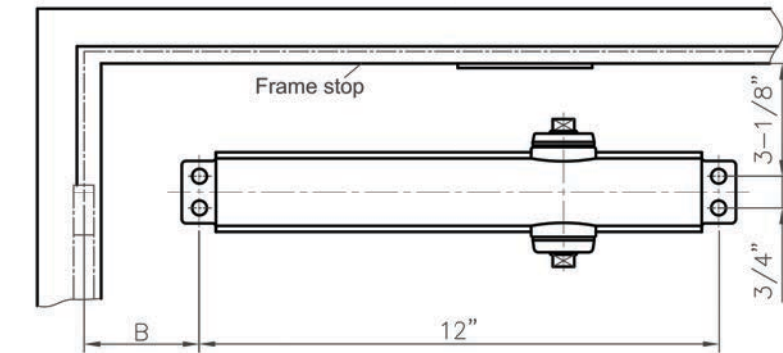


Fig.B