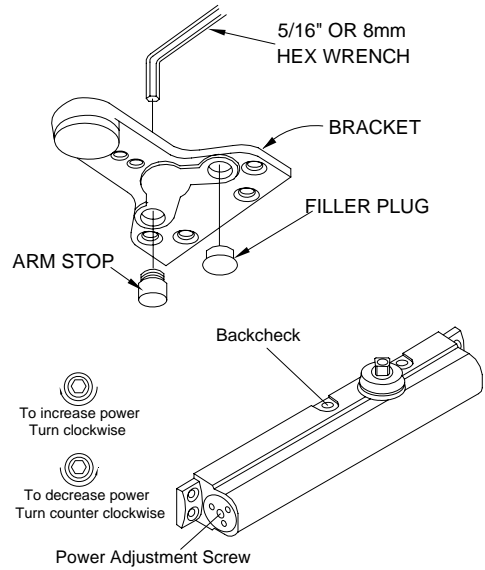
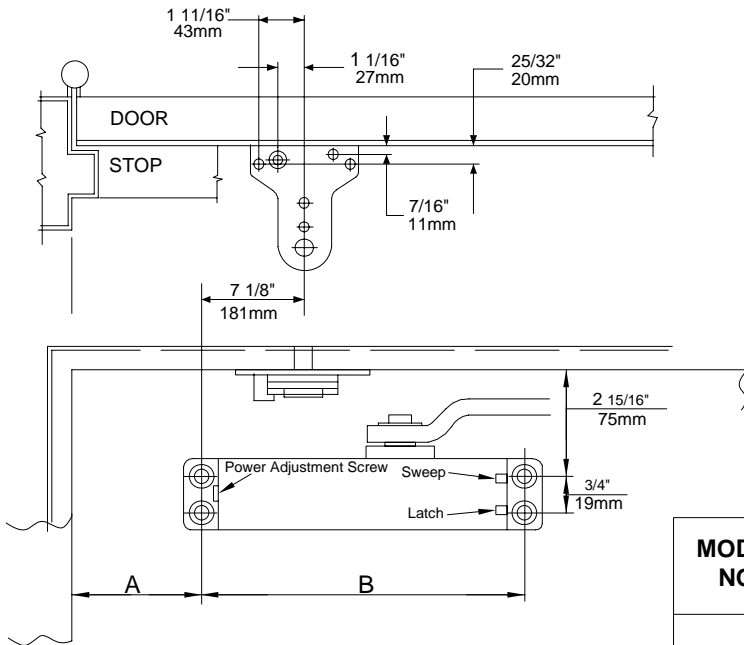


# Model 316

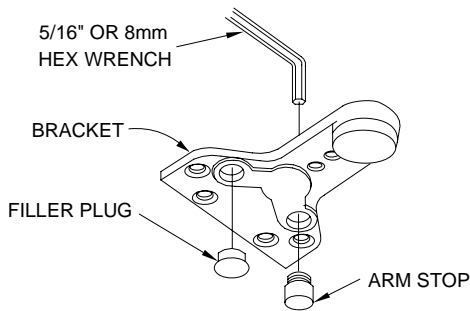
## DOOR CLOSER INSTALLATION & INSTRUCTION SHEET

For Heavy Duty Arm W /Dead Stop , HD Hold Open Arm W /Dead Stop

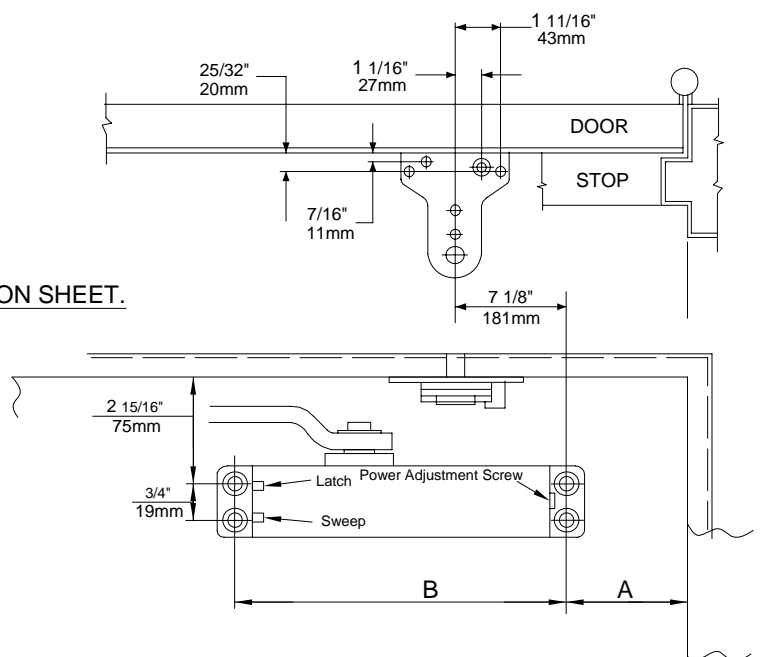
### PARALLEL ARM(PUSH SIDE)Mounting LEFT HAND DOOR SHOWN



MODEL NO.	OPENING	DIMENSION	
		A	B
316	To 100°	3 1/2" (90mm)	12" (304.8mm)
	101°-150°	1 1/4" (32 mm)	12" (304.8mm)

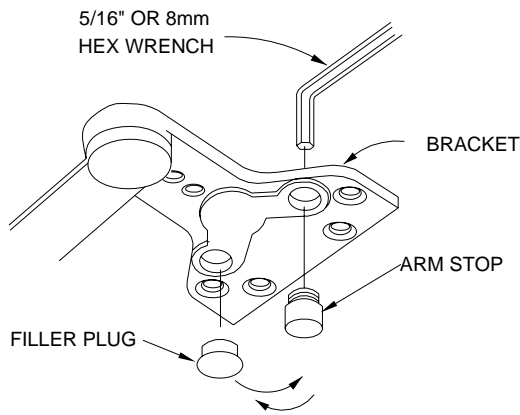


### PARALLEL ARM(PUSH SIDE)Mounting RIGHT HAND DOOR SHOWN



#### DOOR CLOSER ADJUSTMENT

Please refer to 316 INSTALLATION INSTRUCTION SHEET.



INTERCHANGEABLE FOR DOOR HANDING

THE HAND MUST BE DETERMINED & CHANGED IF NECESSARY BEFORE THE BRACKET IS MOUNTED TO THE DOOR STOP(TOP JAMB).

Refer to page 1.

**FOR LEFT HAND DOORS**

All brackets are shipped assembled for LEFT HAND DOOR. Insert  $\frac{5}{16}$ "(8mm) hex wrench into ARM STOP and Turn counter clockwise to seat as tightly as possible. Push filler plug in firmly.

**FOR RIGHT HAND DOORS**

Pull filler plug out of bracket  
Use a  $\frac{5}{16}$ "(8mm) hex wrench, Turn ARM STOP clockwise to remove from bracket insert hole . Turn hex wrench counter clockwise to seat ARM STOP as tightly as possible.  
Push filler plug into other hole.

# INSTALLATION SEQUENCE

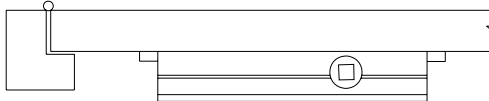
LEFT HAND DOOR SHOWN- RIGHT HAND DOOR OPPOSITE

**! CAUTION**

IMPROPER INSTALLATION OR REGULATION  
MAY RESULT IN PERSONAL INJURY OR  
PROPERTY DAMAGE.FOLLOW ALL  
INSTRUCTIONS CAREFULLY.

**INSTALLATION INSTRUCTIONS**

- 1.Using template dimensions shown above.Mark FOUR (4) HOLES ON DOOR for door closer and THREE (4) HOLES ON FRAME for parallel bracket.
- 2.Mount closer on door using screws provided. SPEED ADJUSTING VALVE MUST BE POSITIONED AWAY FROM HINGE EDGE
3. Adjusting spring power to match door width or weight as indicated by Power Adjustment Chart shown on 316 INSTALLATION INSTRUCTION SHEET.
- 4.Mount closer on door to dimensions shown on page 1



**IMPORTANT REMARKS**

Do NOT allow door to slam into frame.  
A normal standard closing time from 90° open position is 5 to 7 seconds evenly divided between main closing (Sweep) speed and latching speed. Adjust the SWEEP speed first, then adjust the LATCHING speed.  
For slower closing speed of door, turn adjusting valve of "S" clockwise and counter clockwise for faster speed.  
Latching speed control of door is the same mannger as Sweep speed adjustment.

**ADJUSTABLE BACKCHECK FUNCTION**

This function is essential to proper operation of HEAVY DUTYARM W/ DEAD STOP. Use enough to prevent arm from striking stop with impact. See page 1.

**ATTACH COVER ( if packed)**

Install cover securely using screws provided.

**HOW TO HOLD -OPEN**

A quarter turn on the HOLD-OPEN CONTROL HANDLE engages or disengages hold -open.

