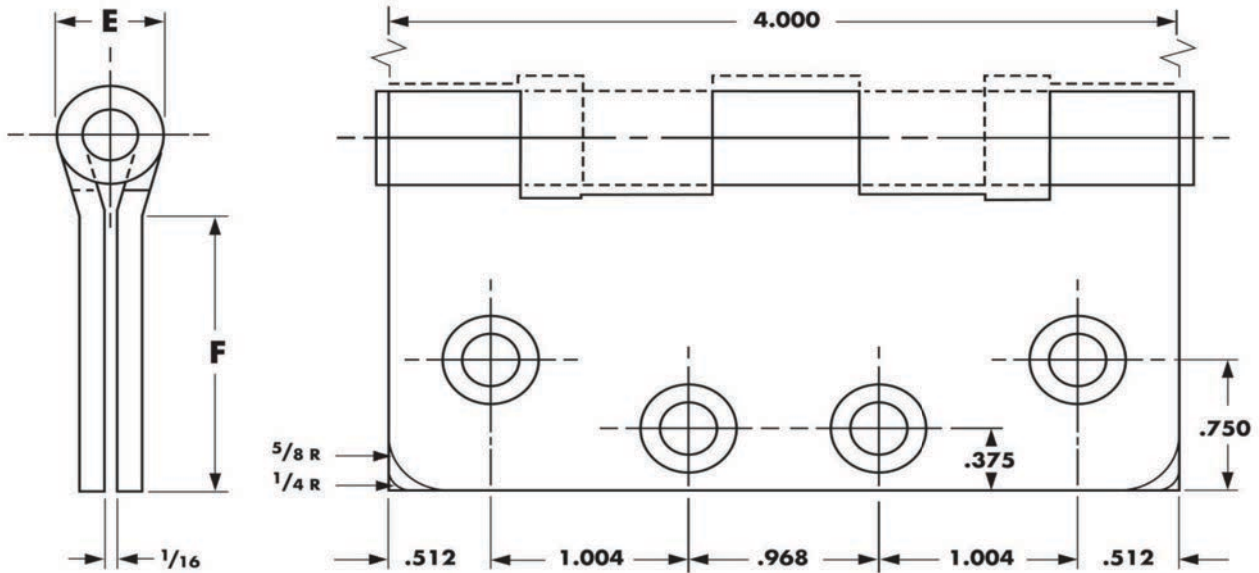


FULL MORTISE TEMPLATE BUTT HINGES - 4" x 4"



DO NOT SCALE

Template # : BB5-SW.40 / SH.40

Hinge Number	Gauge of Metal	(D) Outside Diameter	Distance From Edge of Leaf to Swage Line (E)
BB5 4" x 4"	0.129	0.59	1 5/8"
Spring Hinge 4" x 4"	0.129	0.7	1 5/8"

Machine Screw Size - 1/2" x 12-24 F.H.
Wood Screw Size - 1 1/4" x No. 12 F.H.

This template conforms with ANSI standard A156.7