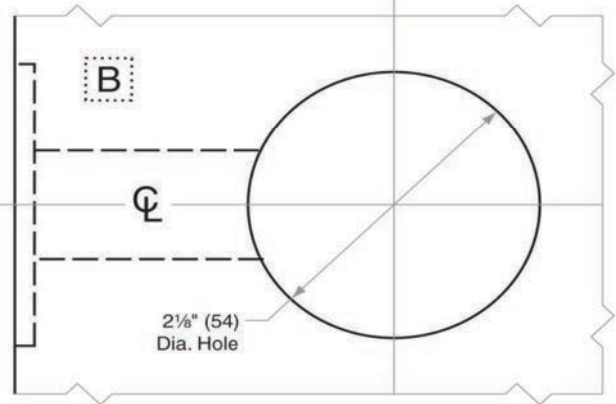
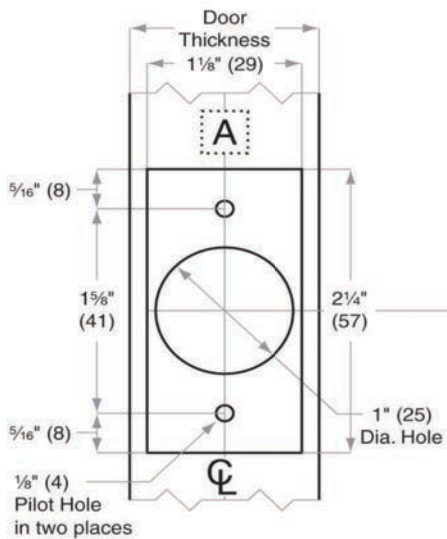
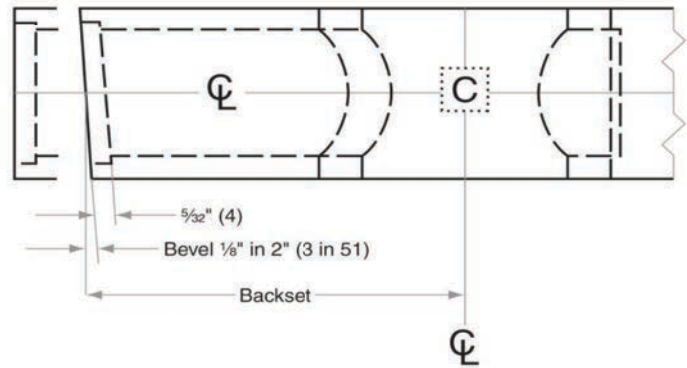
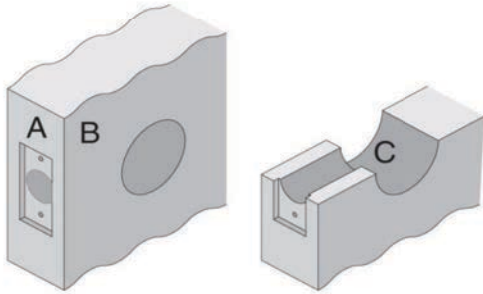




Design Hardware®

Ph. 877-258-1262 Fax: 877-888-0150

www.designhardware.net



<p>Template No. D.234</p>	<p>Design Hardware</p> <p>D1 & D2 Series Deadbolts</p>	<p>Functions All Functions</p> <p>w/ Std. 2 3/4" Latch</p>
---	--	---