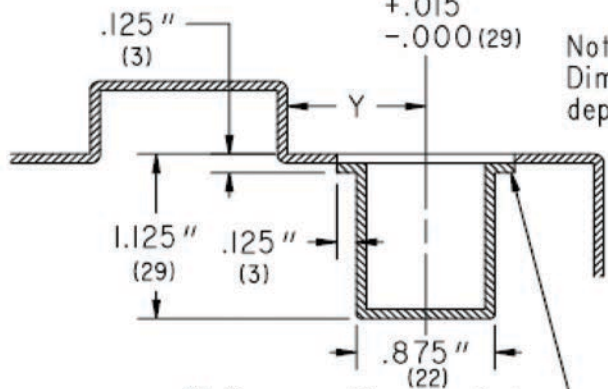
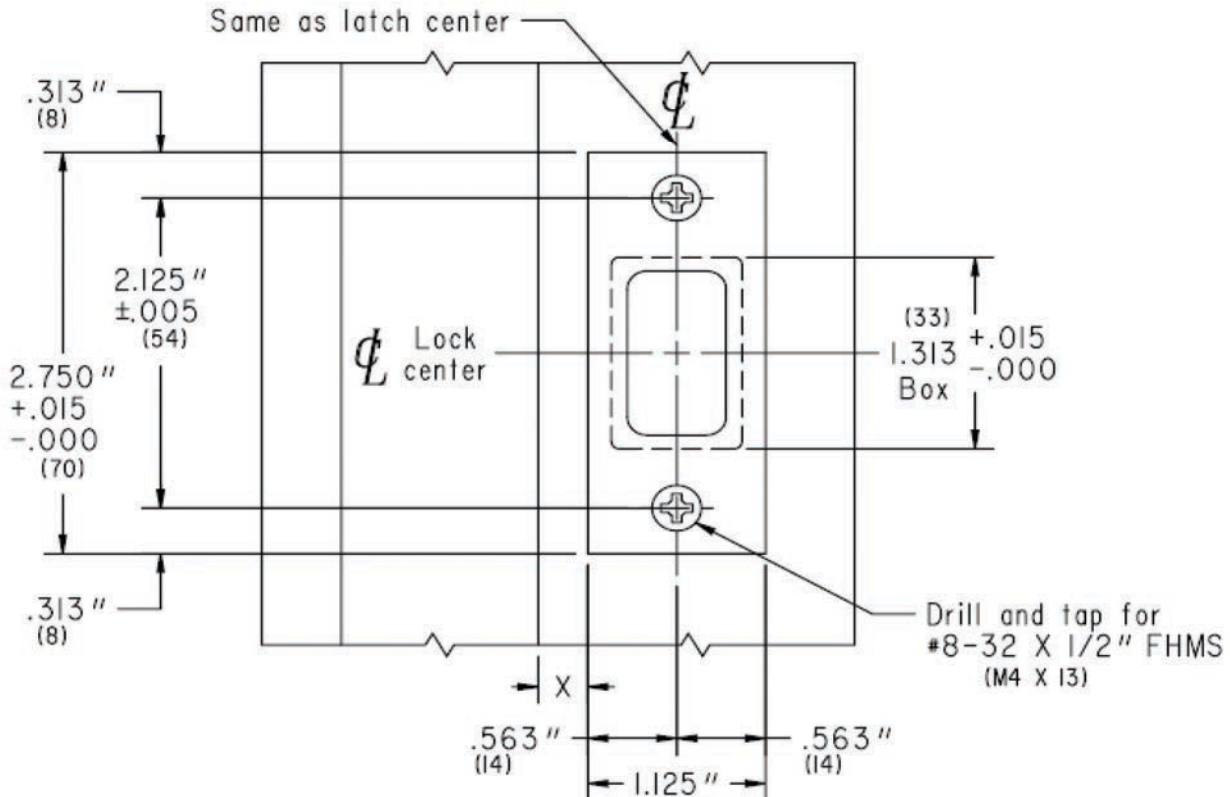




Design Hardware®

Ph. 877-258-1262 Fax: 877-888-0150
www.designhardware.net



Note:
Dimensions X and Y are variables,
depending on door thickness.

<p>Template No. D-021209-2</p>	<p align="center">Design Hardware</p> <p align="center">D1 & D2 Deadbolt Strike Template</p>	<p>Functions Single & Double Cyl.</p>
--	--	--