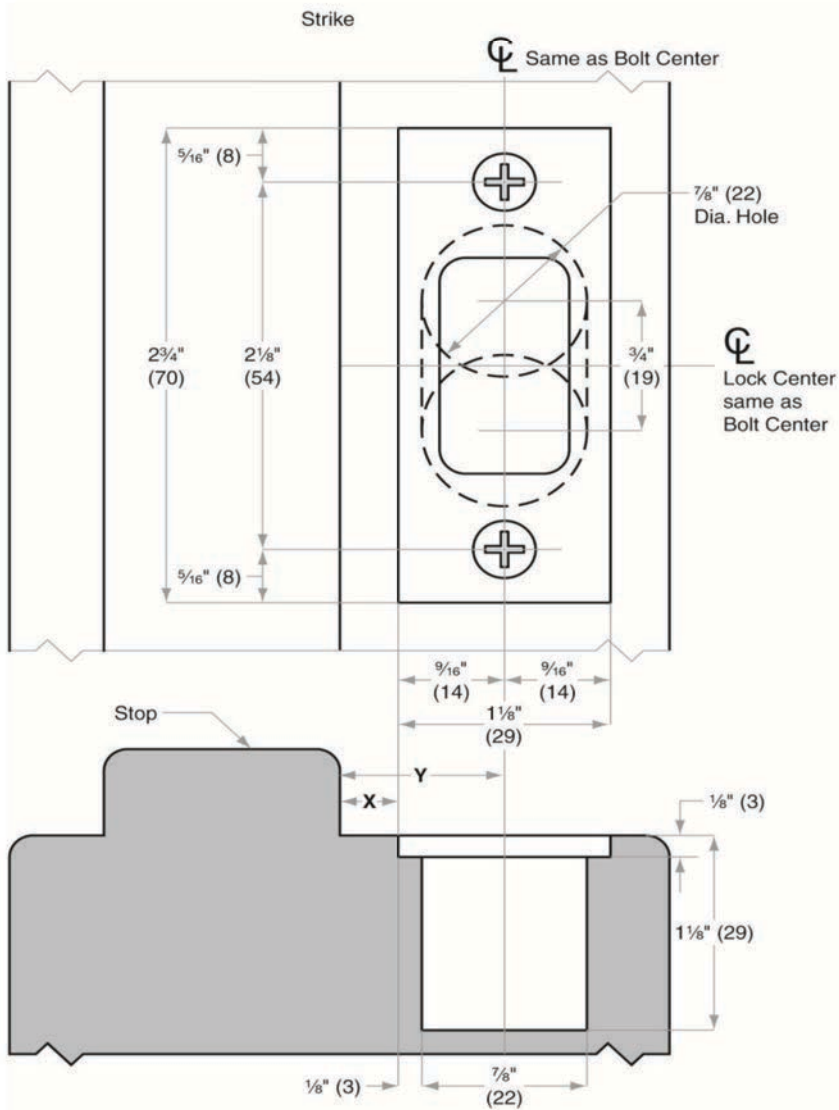




Design Hardware®

Ph. 877-258-1262 Fax: 877-888-0150

www.designhardware.net



NOTE:

1. When strike/frame reinforcer is used, additional preparation is required: two Pilot Holes and 1/8" (3) deeper mortise
2. For use with 1" (25) throw deadbolt functions
3. Dimensions X and Y are variables dependent on door thickness
4. Strike location on frames must be adjusted for thickness of door silencers when used

<p>Template No. D12.WD</p>	<p>Design Hardware Frame Template D1 & D2 Deadbolt Strike Template</p>	<p>Functions All Functions Wood Frames</p>
--	--	--