

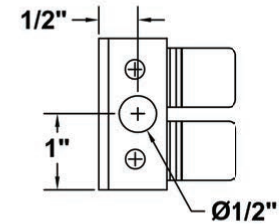
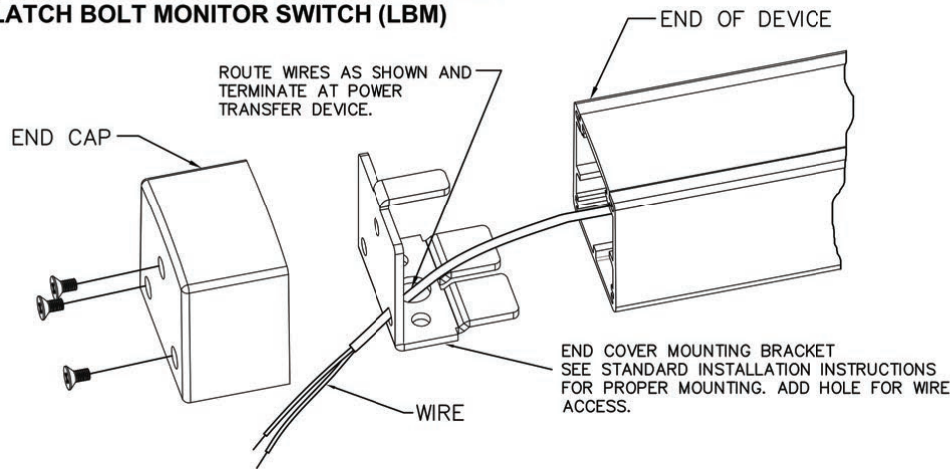
# ELR-1000 Exit Device Raceway Template

## EXIT DEVICE TEMPLATE

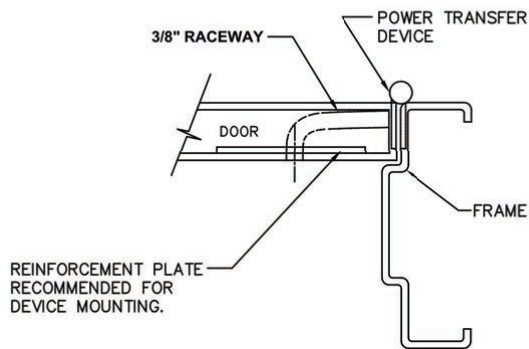
FOR USE WITH DESIGN HARDWARE 1000 SERIES EXIT DEVICE MODIFICATIONS

ELECTRIC LATCH RETRACTION (ELR)  
 ELECTRIC DOGGING (ED)  
 REQUEST TO EXIT MONITOR SWITCH (REX)  
 LATCH BOLT MONITOR SWITCH (LBM)

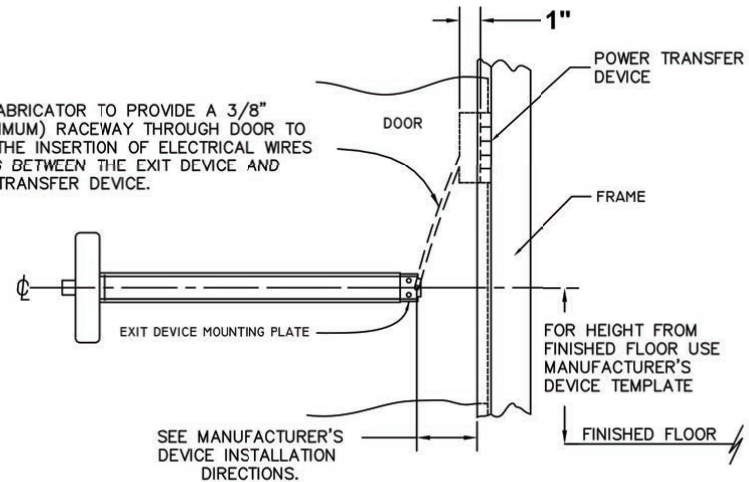
NOTE: USE STANDARD INSTALLATION INSTRUCTIONS FOR DOOR PREPARATION. PROVIDE ADDITIONAL PREP AS SHOWN FOR ELECTRIC MODIFICATIONS.



PROVIDE 1/2" DIAMETER HOLE IN END COVER MOUNTING BRACKET FOR WIRE ACCESS.



DOOR FABRICATOR TO PROVIDE A 3/8" DIA.(MINIMUM) RACEWAY THROUGH DOOR TO ALLOW THE INSERTION OF ELECTRICAL WIRES RUNNING BETWEEN THE EXIT DEVICE AND POWER TRANSFER DEVICE.



Not to scale 1:1. Measurements are for reference only. Not a drilling template.