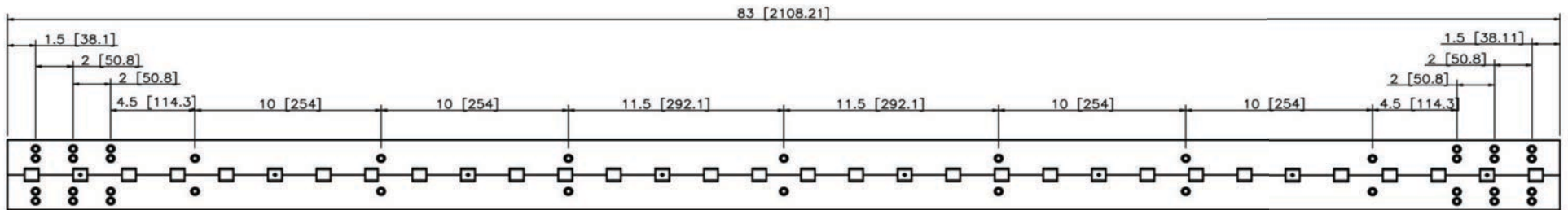


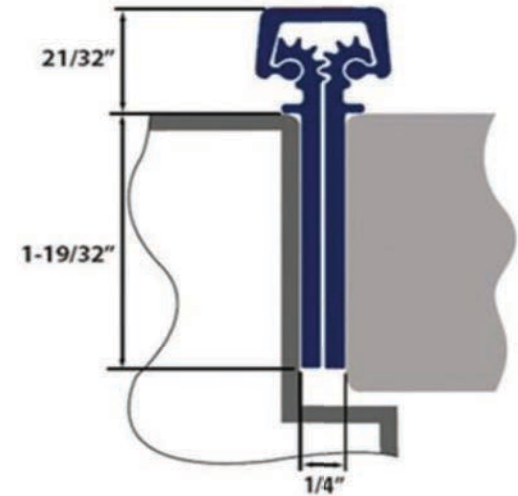
FMHD 83" Continuous Gear Hinge

Template # : FMHD83



DO NOT SCALE

Machine Screw Size - 7/8" x 12-24 F.H. undercut self tapping



 Design Hardware®
Ph. 877-258-1262 Fax: 877-888-0150
www.designhardware.net