

# CONTINUOUS GEARED HINGE

## Full Surface Hinge Installation Instructions

### Models FSHD, FSOHD

#### I. CAUTION:

Please follow the installation instructions carefully. Not doing so may result in improper installation and void the manufacturer's warranty.

#### II. CLEARANCE REQUIREMENT CALCULATIONS:

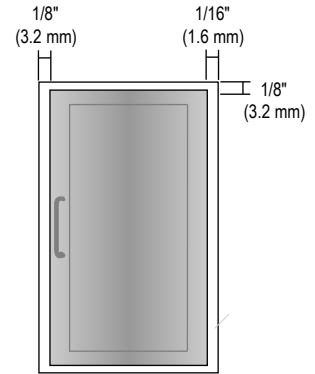
**Single Door:** Frame Opening – Total Clearance Required = Net Door Width

**Double Door:**  $\frac{\text{Frame Opening} - \text{Total Clearance Required}}{2} = \text{Net Door Width Per Door}$

#### 1. SINGLE DOORS

(Square and Beveled Edged)

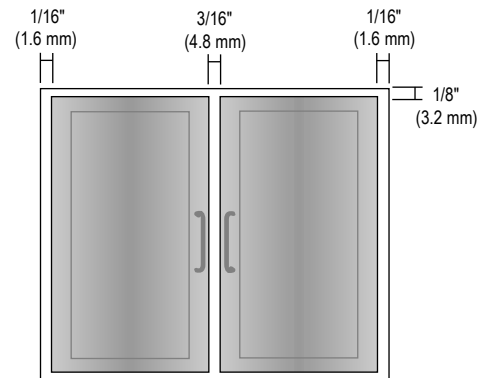
	Clearance
A. Hinge thickness	0"
B. Lock side clearance	1/8" (3.2 mm)
C. Clearance for irregularities	1/16" (1.6 mm)
<b>Total Clearance Required</b>	<b>3/16" (4.8 mm)</b>



#### 2. DOUBLE DOORS

(Square and Beveled Edged)

	Clearances
A. First hinge thickness	0"
B. First clearance for irregularities	1/16" (1.6 mm)
C. Edge to edge clearance	3/16" (4.8 mm)
D. Second hinge thickness	0"
E. Second clearance for irregularities	1/16" (1.6 mm)
<b>Total Clearance Required</b>	<b>5/16" (7.9 mm)</b>



**NOTE: Model FSHD** requires a minimum of 7/8" of frame face for mounting. If you have more than 7/8" frame face, mark an alignment line on the frame face from 1" up to 1-5/16" away from the center of the gap between the jamb and the door.

**NOTE: Model FSOHD** requires you to re-template existing overhead closers to match the swing clear pivot point of the hinge. If the existing closer is not re-templated, the door will only open to 70 degrees in a 90 degree opening. **Install the hinge door leaf cover before reinstalling the existing door closer.**

