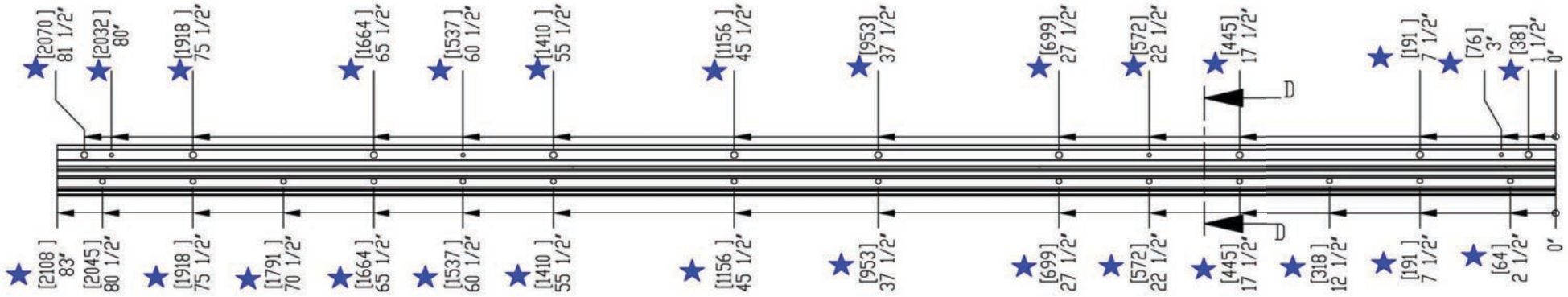


FSOHD 83" Continuous Gear Hinge

Template # : FSOHD83



DO NOT SCALE

Machine Screw Size - 7/8" x 12-24 F.H. undercut self tapping

