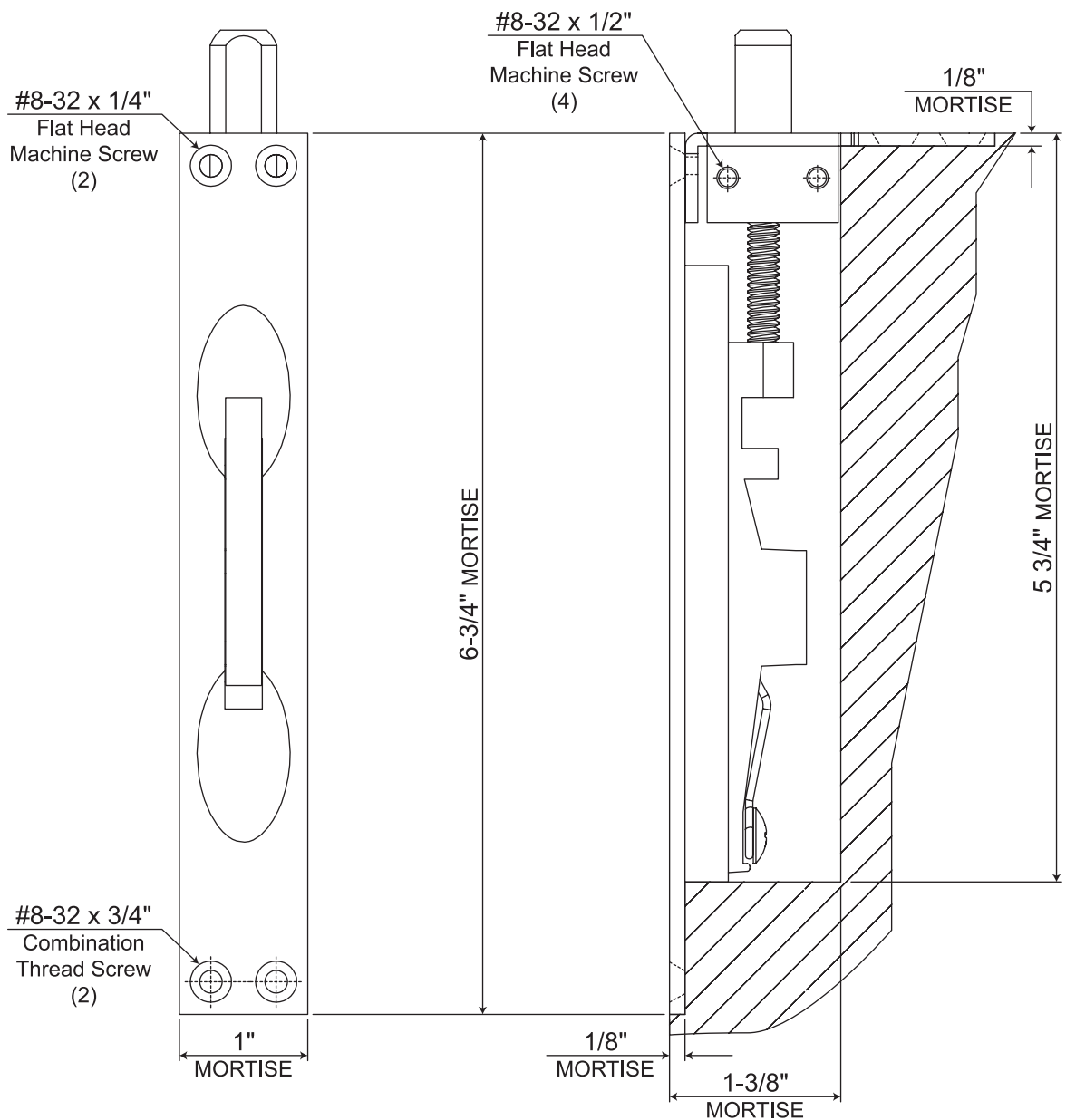
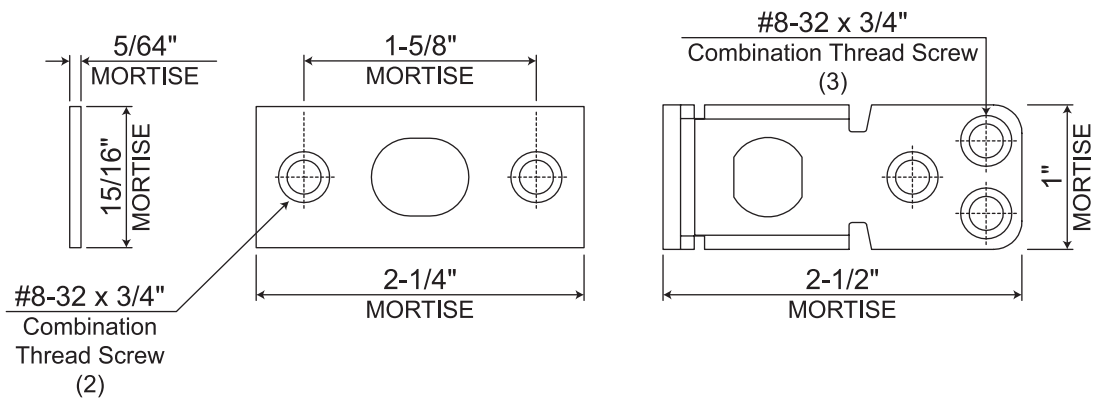


**UL Manual Flush Bolt - (Wood Door)**  
**WOODEN DOOR & FRAME**  
**PREPARATION TEMPLATE**



**DRAWING NOT TO SCALE**