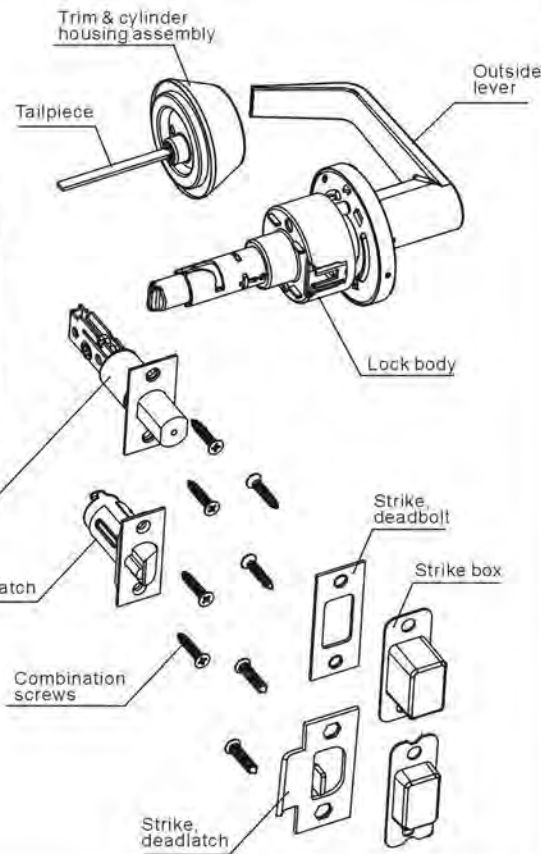
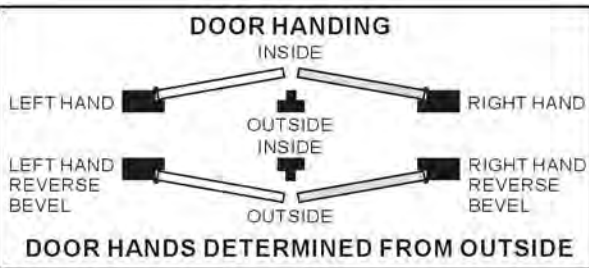
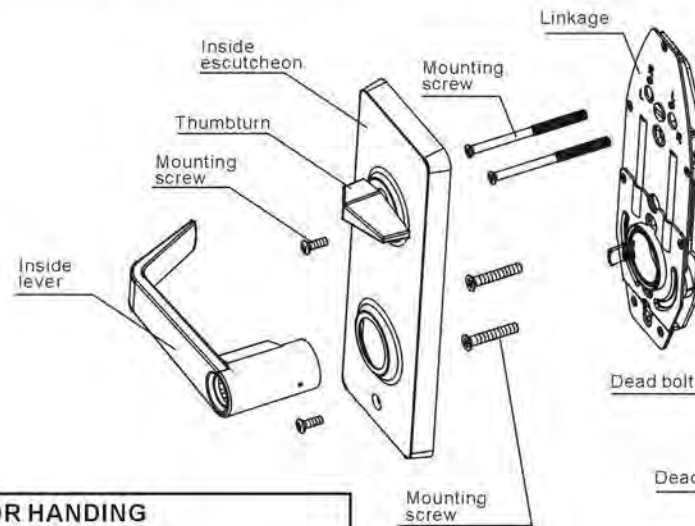
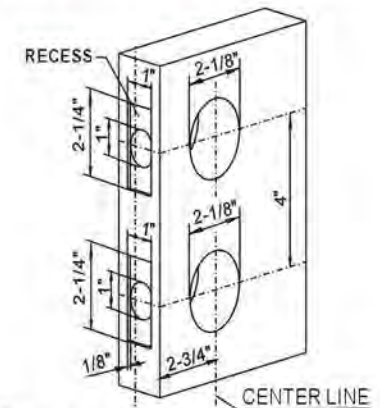


# HOW TO INSTALL THIS INTERCONNECTED LOCK

Lockset is preset for 1-3/4" thick door - Backset 2-3/4"



## New Door Preparation

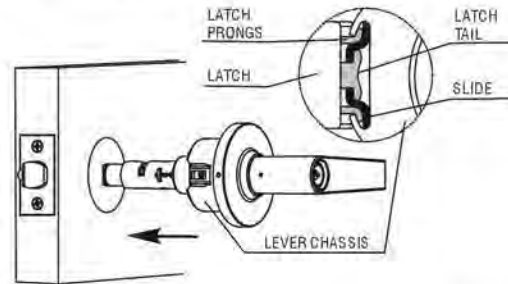


1. Mark Door (see template)
  - a) Place template on door and mark center for two 2 1/8" holes spaced 4" from center to center.
  - b) Template should be placed on the high edge of door.
2. Bore four holes
  - a) Bore both 2 1/8" diameter holes. To avoid splintering a wood door, bore the holes from both sides of the door.
  - b) Drill two 1" diameter holes from the edge of the door that will intersect the two 2 1/8" holes.
  - c) Using the latch bolt and dead bolt faceplates as templates, trace and mortise the edge of the door to recess the faceplate.

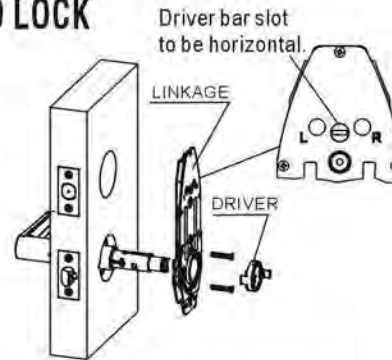
## 1 INSTRUCTIONS FOR INSTALLING AN INTERCONNECTED LOCK



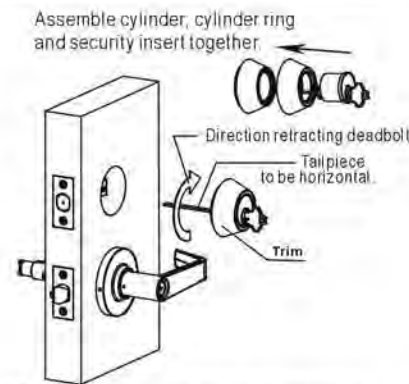
**1A:** Install deadbolt oriented with driver bar slot down. Install latchbolt with the beveled edge of the bolt toward the door stop.



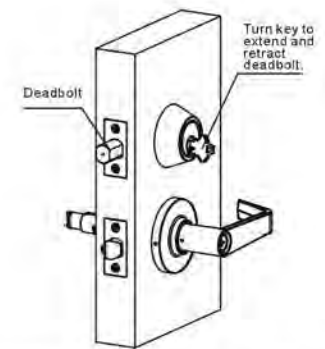
**1B:** Use supplied push pin to remove the inside lever. Place lever chassis into lower hole. Check from inside to make sure that the latch prongs engage chassis in housing and slide engages latch tail.



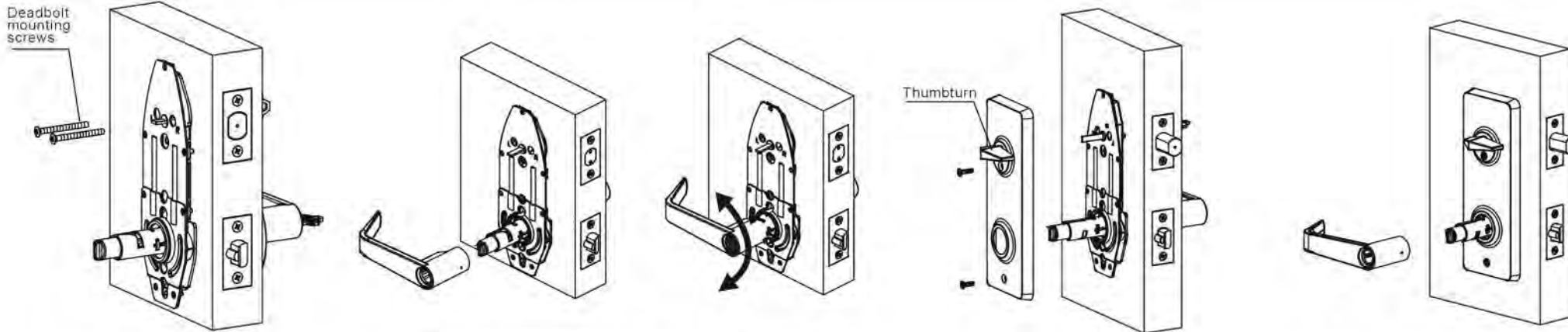
**1C:** Slide linkage over inside spindle and attach two mounting screws, but do not tighten them completely. Slide driver over spindle with the large single tab facing away from the door and away from the door edge. Insert the two short legs of the driver into the slots in the linkage plate as shown.



**1D:** Make sure deadbolt is in retracted position, use screw driver to retract if necessary. Turn tailpiece to horizontal position with the direction retracting deadbolt as shown. Insert tailpiece through slot of deadbolt and linkage, push trim into position.



**1E:** Check operation of deadbolt by extending the deadbolt using the key and then removing the key, then retract the deadbolt using the key and then remove the key. Make sure tailpiece is inserted through slot correctly, if not adjust tailpiece rotation and reinstall trim and tailpiece.



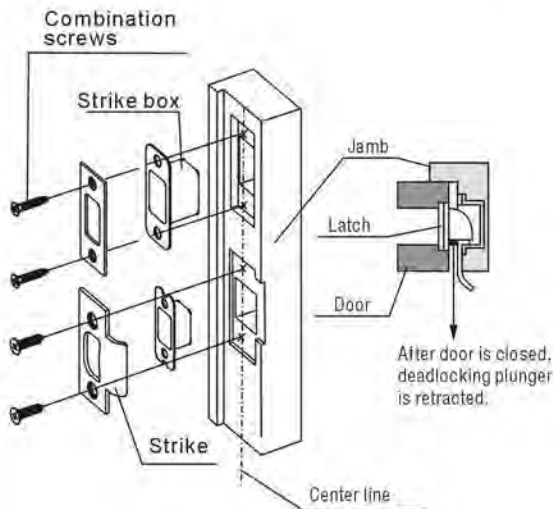
**1F:** Retract deadbolt with the key and install two deadbolt mounting screws, but do not tighten them completely at this time.

**1G:** Slide inside lever onto spindle. Tighten the four mounting screws now, then check and adjust to make sure the rotation of deadbolt and leverset are both smooth. If not, then adjust the radial clearance between inside lever, deadbolt and linkage until both rotations are smooth. Remove inside lever with supplied push pin.

**1H:** Extend deadbolt with key, rotate thumbturn to horizontal position, install escutcheon and two mounting screws, but do not tighten screws all the way.

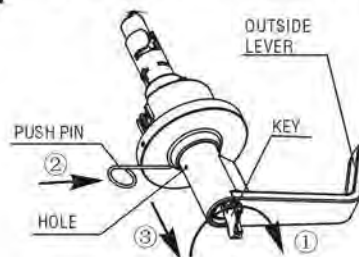
**1I:** Slide inside lever onto spindle and lock it into place, tighten two mounting screws being careful not to over tighten. Check to see if rotation is smooth and if function is correct.

## 2 INSTALL STRIKE AND STRIKE BOX

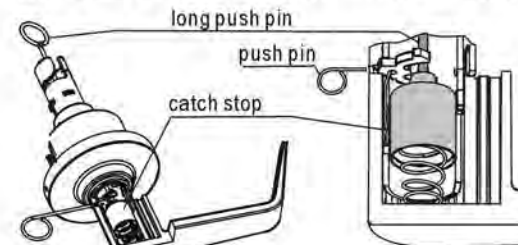


- Install deadbolt strike and strike box if required.
- Install T strike or full lip strike and strike box if required.

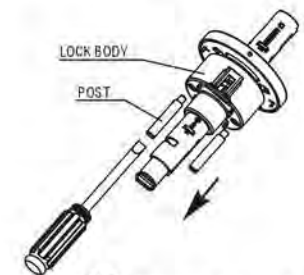
## 3 INSTRUCTIONS FOR ADJUSTING LOCK TO FIT DOOR THICKNESS OTHER THAN 1-3/4"



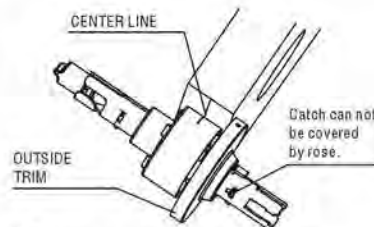
**3A:** Turn key 75° clockwise, insert push pin into hole in outside lever to depress catch. Remove the outside lever.



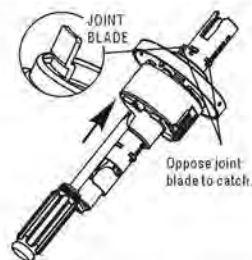
For the single locking (no key) model, insert supplied long push pin through spindle and lock body carefully to push catch stop off (by touch feeling), then insert push pin to depress catch. Remove the outside lever.



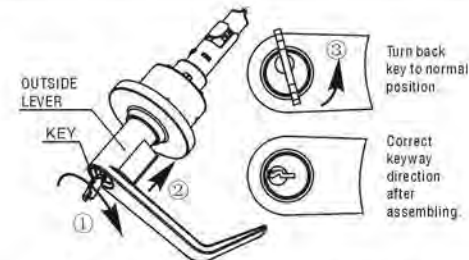
**3B:** Unscrew two posts in lock body by screwdriver.



**3C:** Adjust outside trim according to the door thickness, make sure the lock body at both sides is symmetrical.



**3D:** Screw two posts back in so they hold the outside rose tightly.

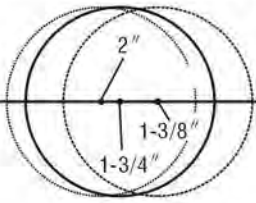


**3E:** Turn key approximately 75° clockwise and push the lever all the way onto the spindle and then turn key back to normal position.

For the single locking (no key) model, insert supplied long push pin through spindle and lock body carefully to push catch stop off, then push the outside lever all the way onto the spindle.



Fold and fit around door edge



Make a 1" hole in the center of door edge

# TEMPLATE

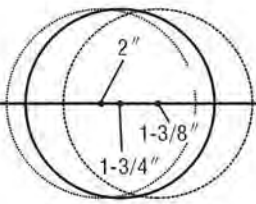
Place template on high edge of bevel

BACKSET 60mm (2-3/8")

BACKSET 70mm (2-3/4")

Make 2-1/8" hole

Fold and fit around door edge



Make a 1" hole in the center of door edge



**Note: This template must be printed full scale!**