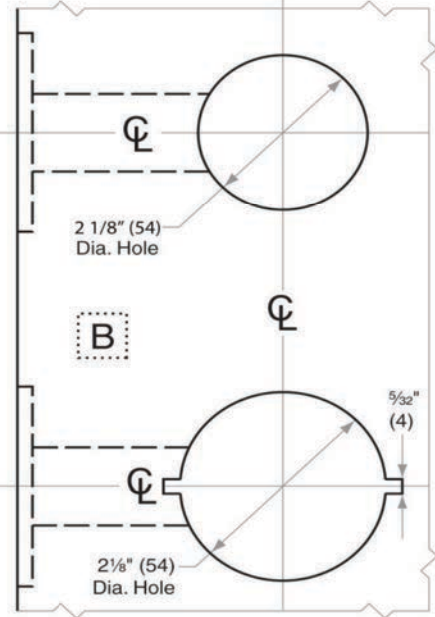


4" (102)



<p>Template No. I.238</p>	<p>Design Hardware I Series Cylindrical Lockset</p>	<p>Functions I-75 Single Locking I-82 double Locking w/ Opt. 2 3/8" Latch</p>
--	--	--