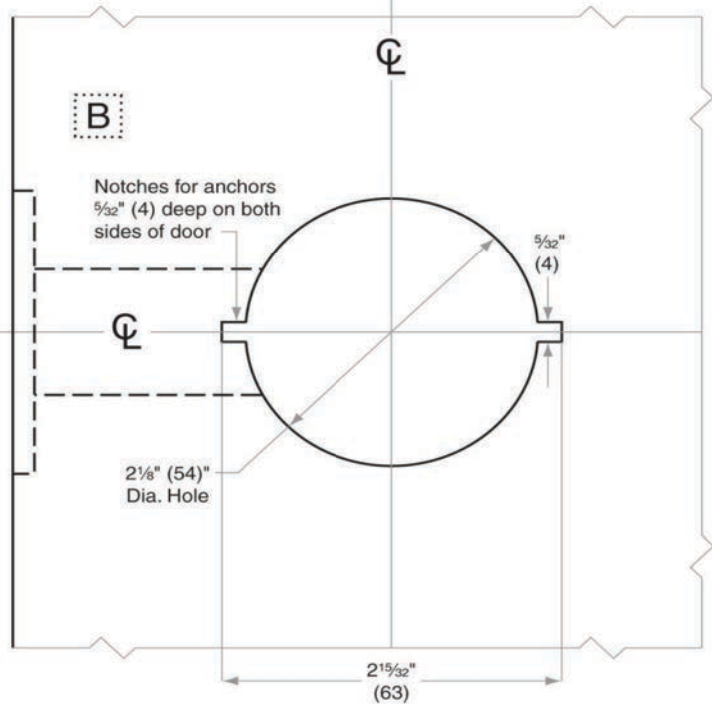
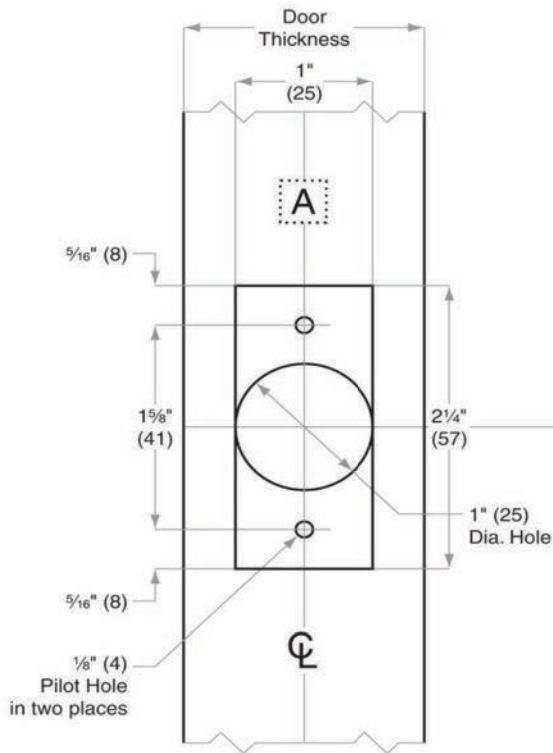
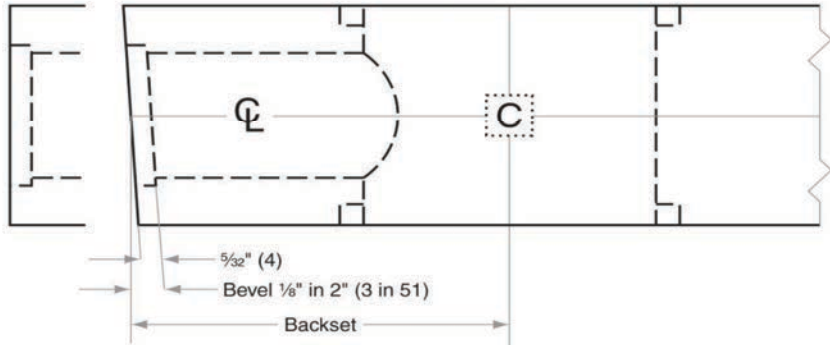
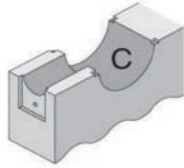
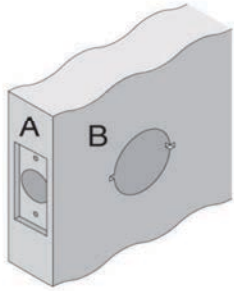




Design Hardware®

Ph. 877-258-1262 Fax: 877-888-0150

www.designhardware.net



<p>Template No. J.238</p>	<p>Design Hardware J Series Cylindrical Lockset</p>	<p>Functions 75, 76, 82, 84, 86 w/ Opt. 2 3/8" Latch</p>
---	---	---