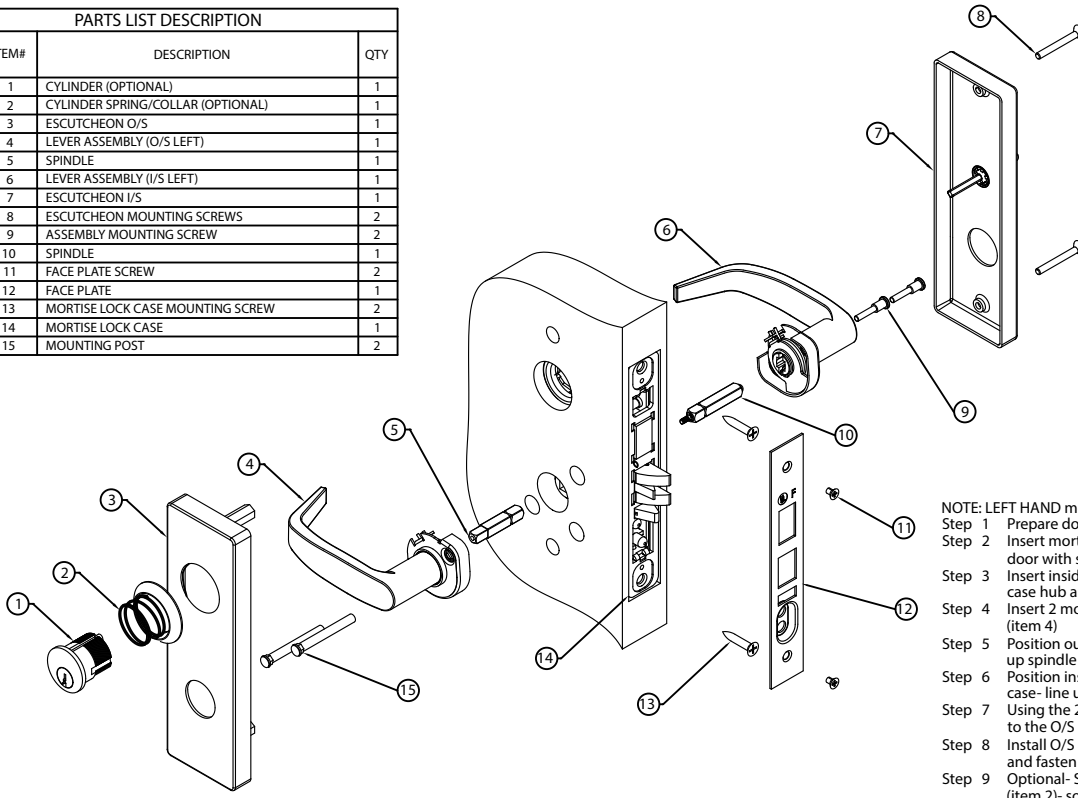


PARTS LIST DESCRIPTION		
ITEM#	DESCRIPTION	QTY
1	CYLINDER (OPTIONAL)	1
2	CYLINDER SPRING/COLLAR (OPTIONAL)	1
3	ESCUTCHEON O/S	1
4	LEVER ASSEMBLY (O/S LEFT)	1
5	SPINDLE	1
6	LEVER ASSEMBLY (I/S LEFT)	1
7	ESCUTCHEON I/S	1
8	ESCUTCHEON MOUNTING SCREWS	2
9	ASSEMBLY MOUNTING SCREW	2
10	SPINDLE	1
11	FACE PLATE SCREW	2
12	FACE PLATE	1
13	MORTISE LOCK CASE MOUNTING SCREW	2
14	MORTISE LOCK CASE	1
15	MOUNTING POST	2

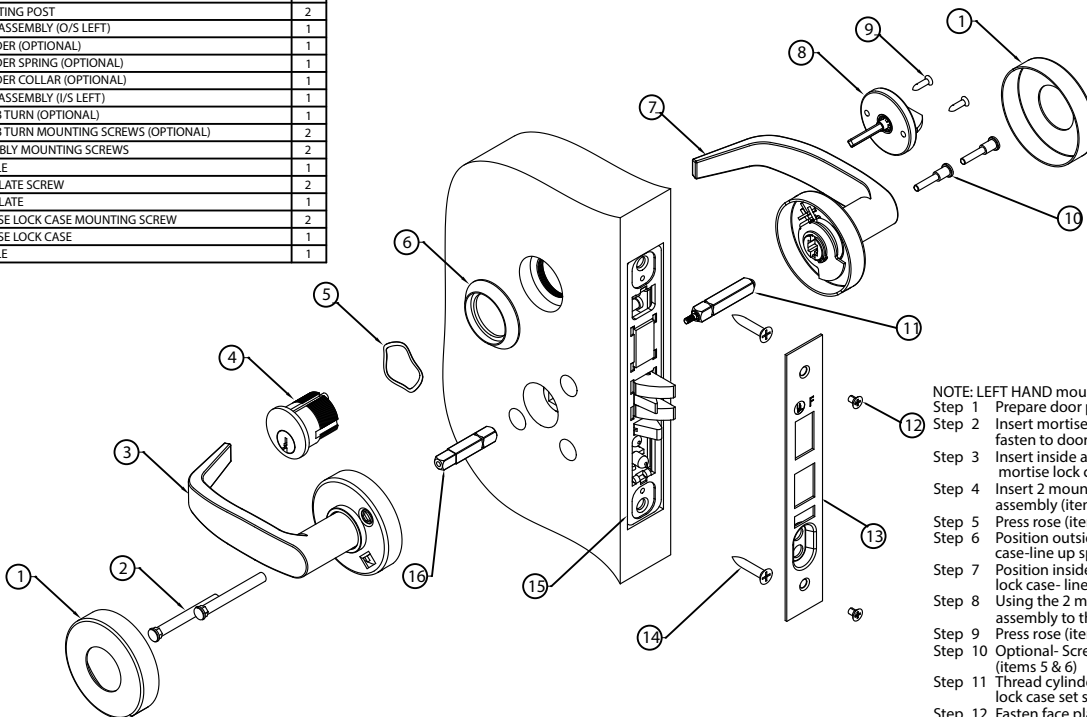


- NOTE: LEFT HAND mounting is shown
- Step 1 Prepare door per supplied template
 - Step 2 Insert mortise lock case (item 14) into mortise cutout and fasten to door with screws (item 13)
 - Step 3 Insert inside and outside spindles (items 5 & 10) into the mortise lock case hub and tighten screw
 - Step 4 Insert 2 mounting posts (item 15) into the outside lever assembly (item 4)
 - Step 5 Position outside (O/S) lever assembly onto the mortise lock case- line up spindle & mounting posts with mortise lock case
 - Step 6 Position inside (I/S) lever assembly (item 6) onto the mortise lock case- line up spindle
 - Step 7 Using the 2 mounting screws (item 9) fasten the I/S lever assembly to the O/S lever assembly
 - Step 8 Install O/S & I/S Escutcheons (items 3 & 7) over lever assemblies and fasten with screws (item 8)
 - Step 9 Optional- Screw in cylinder (item 1) using spring & cylinder collar (item 2)- some models use no cyl. collar
 - Step 10 Thread cylinder to operational depth and secure with mortise lock case set screw
 - Step 11 Fasten face plate (item 12) on using screws (item 11)
 - Step 12 ALWAYS CHECK OPERATION OF LOCK SET PRIOR TO LOCKING/SHUTTING DOOR
- TO CHANGE HANDING: REVERSE INSIDE & OUTSIDE LEVER ASSEMBLIES (items 4 & 6) & CHANGE MORTISE LOCK CASE HANDING

Sectional

Installation Guide

PARTS LIST DESCRIPTION		
ITEM#	DESCRIPTION	QTY
1	ROSE (INSIDE & OUTSIDE)	2
2	MOUNTING POST (O/S LEFT)	2
3	LEVER ASSEMBLY (O/S LEFT)	1
4	CYLINDER (OPTIONAL)	1
5	CYLINDER SPRING (OPTIONAL)	1
6	CYLINDER COLLAR (OPTIONAL)	1
7	LEVER ASSEMBLY (I/S LEFT)	1
8	THUMB TURN (OPTIONAL)	1
9	THUMB TURN MOUNTING SCREWS (OPTIONAL)	2
10	ASSEMBLY MOUNTING SCREWS	2
11	SPINDLE	1
12	FACE PLATE SCREW	2
13	FACE PLATE	1
14	MORTISE LOCK CASE MOUNTING SCREW	2
15	MORTISE LOCK CASE	1
16	SPINDLE	1



- NOTE: LEFT HAND mounting is shown
- Step 1 Prepare door per supplied template
 - Step 2 Insert mortise lock case (item 15) into mortise cutout and fasten to door with screws (item 14)
 - Step 3 Insert inside and outside spindles (items 11 & 16) into the mortise lock case hub and tighten screw
 - Step 4 Insert 2 mounting posts (item 2) into the outside lever assembly (item 3)
 - Step 5 Press rose (item 1) onto the outside lever assembly (item 3)
 - Step 6 Position outside (O/S) lever assembly onto the mortise lock case- line up spindle & mounting posts with mortise lock case
 - Step 7 Position inside (I/S) lever assembly (item 7) onto the mortise lock case- line up spindle
 - Step 8 Using the 2 mounting screws (item 10) fasten the I/S lever assembly to the O/S lever assembly
 - Step 9 Press rose (item 1) onto the inside lever assembly (item 7)
 - Step 10 Optional- Screw in cylinder (item 4) using spring and collar (items 5 & 6)
 - Step 11 Thread cylinder to operational depth and secure with mortise lock case set screw
 - Step 12 Fasten face plate (item 13) on using screws (item 12)
 - Step 13 Install thumb turn (items 8 & 9) if required
 - Step 14 ALWAYS CHECK OPERATION OF LOCK SET PRIOR TO LOCKING/SHUTTING DOOR
- TO CHANGE HANDING: REVERSE INSIDE & OUTSIDE LEVER ASSEMBLIES (items 3 & 7) & CHANGE MORTISE LOCK CASE HANDING