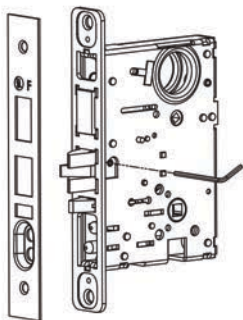
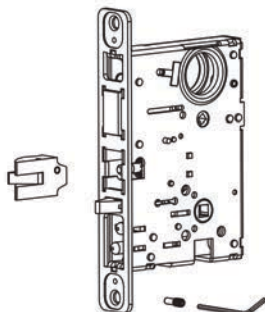


# Mortise handing change instruction

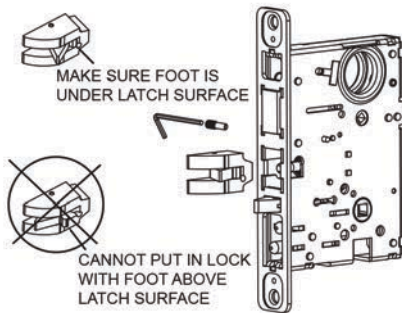
## Change the latchbolt position



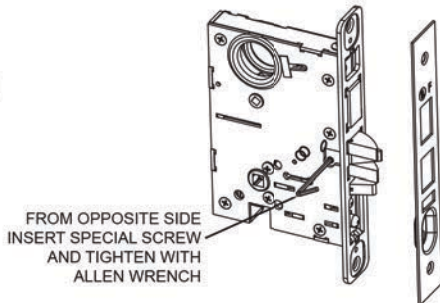
1. Remove special screw with provided allen wrench



2. Pull latch bolt out of lock



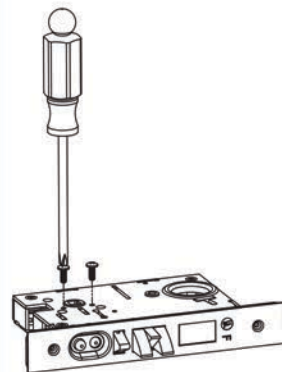
3. Rotate Latch bolt 180° and reinstall into lock, pushing the latch bolt into the lock and then releasing.



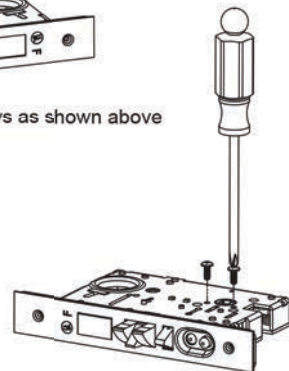
FROM OPPOSITE SIDE  
INSERT SPECIAL SCREW  
AND TIGHTEN WITH  
ALLEN WRENCH

4. Reinstall the special screw and tighten securely with the provided allen wrench.

## Change the locking slide position



1. Remove 2 screws as shown above



2. Turn lock over to opposite side and reinstall screws as shown above. To ensure locking slide does not bind, manually push to the desired side or alternate tightening each screw every 2-3 turns.