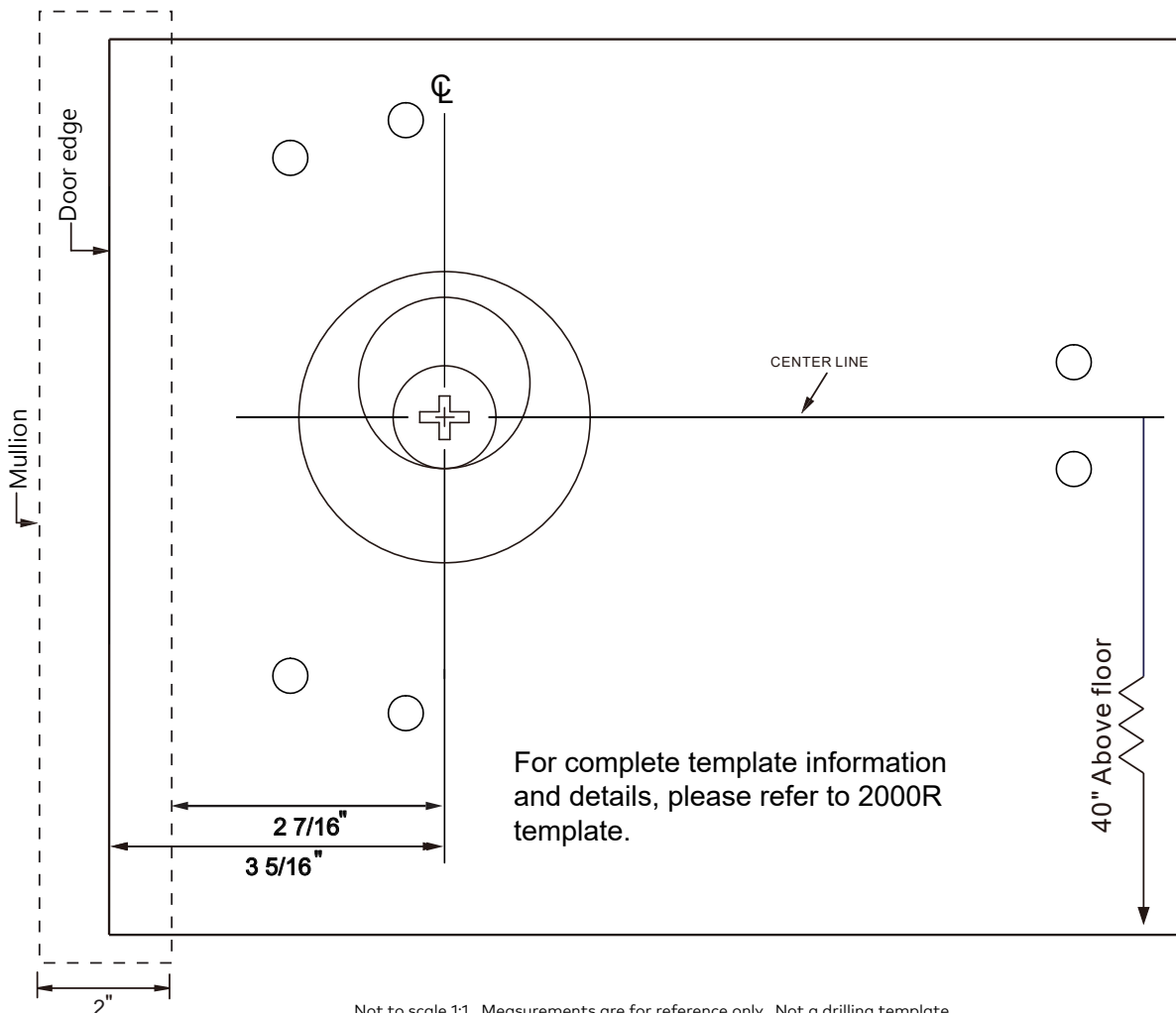
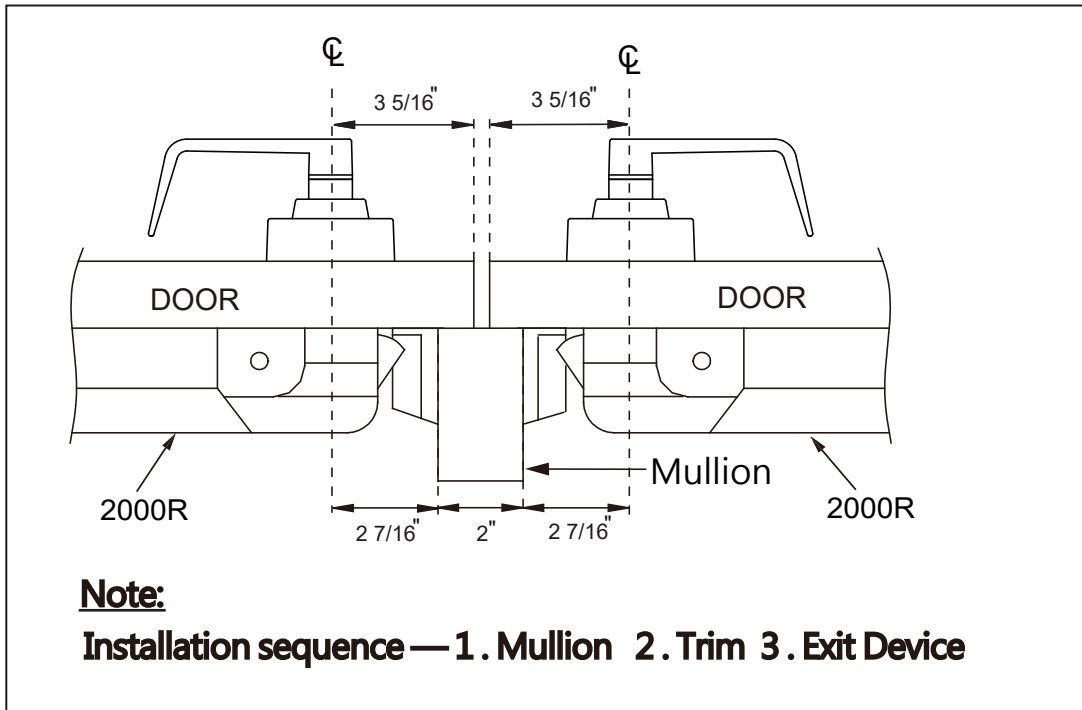


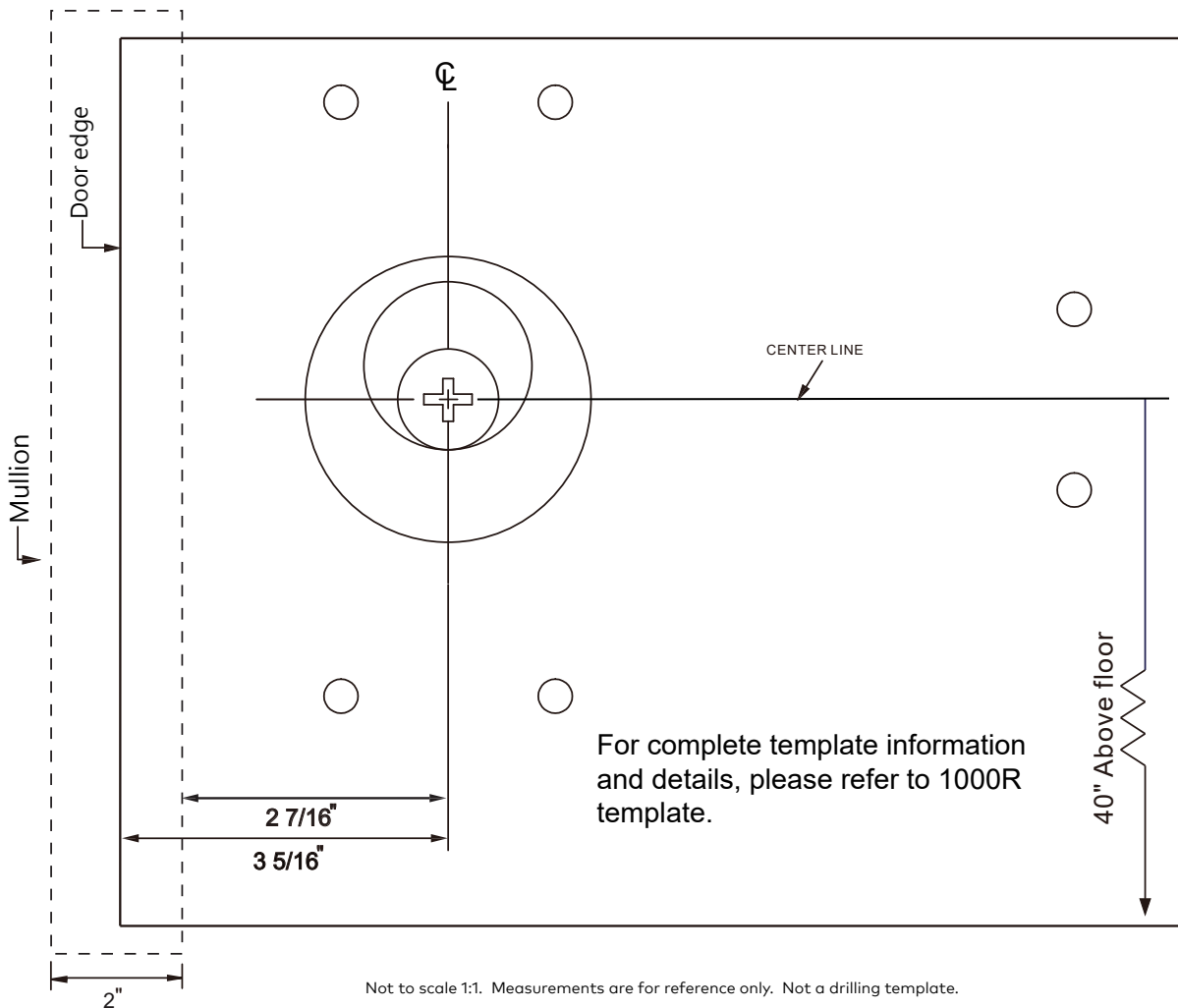
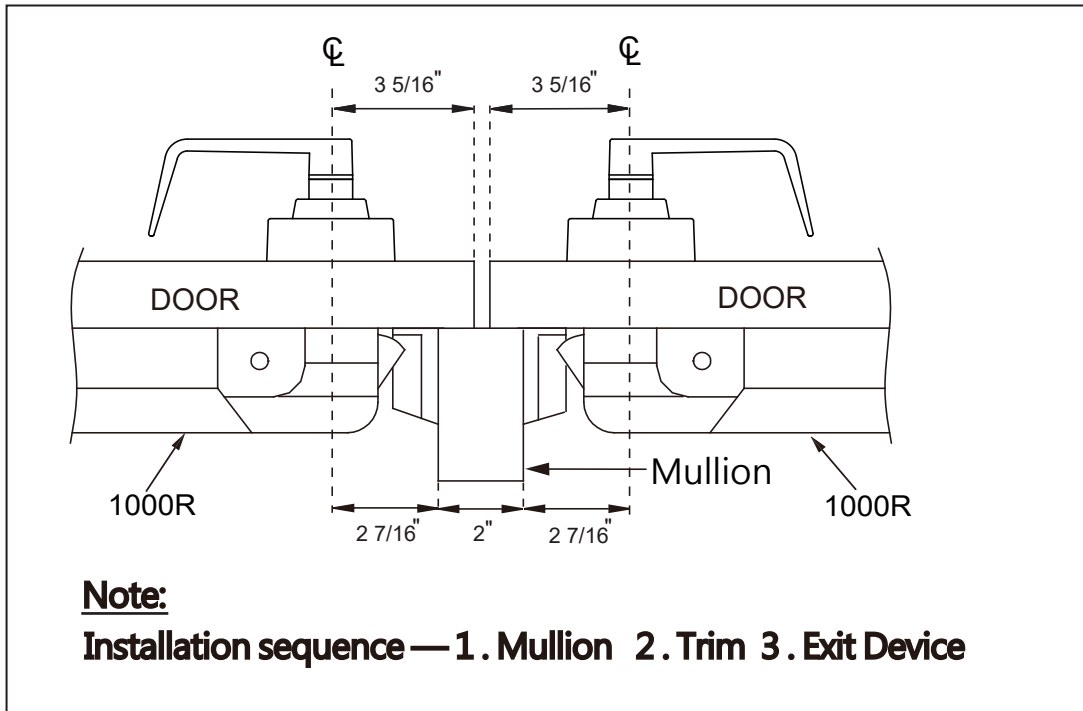
# KRM Backset 1000-2000 Series Device Installation Instructions

## Backset Information for KRM & 2000R



Not to scale 1:1. Measurements are for reference only. Not a drilling template.

## Backset Information for KRM & 1000R



Always consult dormakaba's website for the latest instructions at [designhardware.net](http://designhardware.net) or call 1-800-392-5209.