

EXIT DEVICE REX KIT INSTRUCTIONS

EXIT DEVICE INSTALLATION INSTRUCTIONS REQUEST TO EXIT (REX) MONITORING SWITCH KIT

FOR USE WITH ALL DESIGN HARDWARE REX MONITORED 1000 SERIES EXIT DEVICES

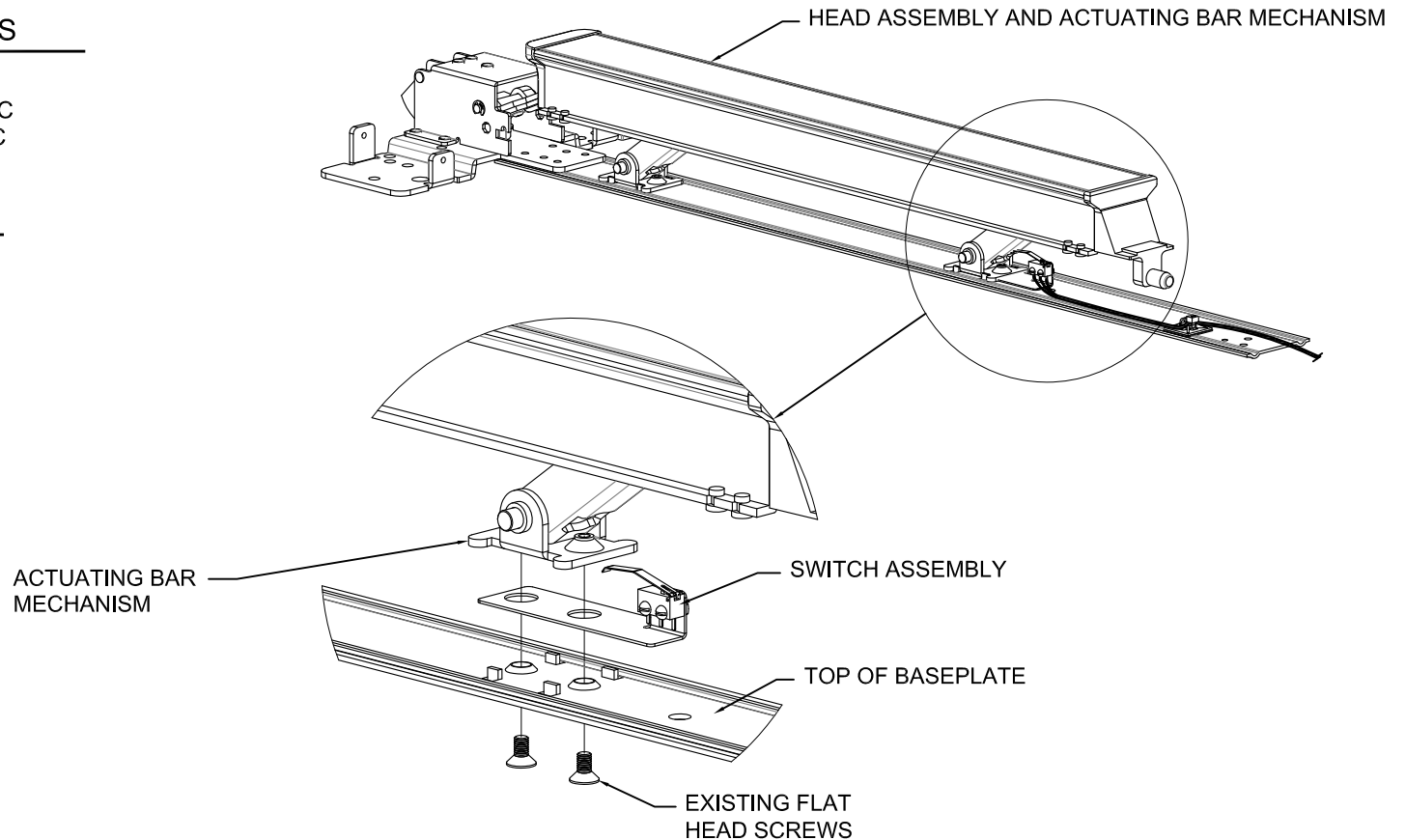
REQUEST TO EXIT (REX) SWITCH MONITORS EGRESS BY ACTIVATION OF ACTUATING BAR OF EXIT DEVICE

ELECTRICAL SPECIFICATIONS

- SPDT MONITOR SWITCH
- CONTACT RATING: 3 AMP @ 125VAC
2 AMP @ 30VDC

COLOR CODE FOR WIRES

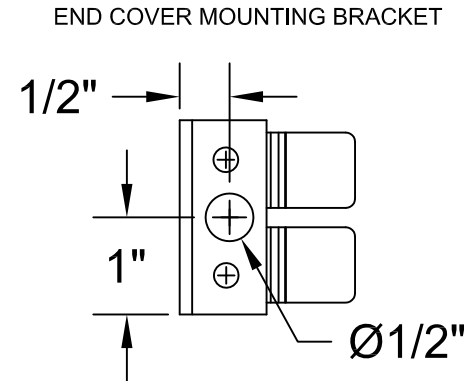
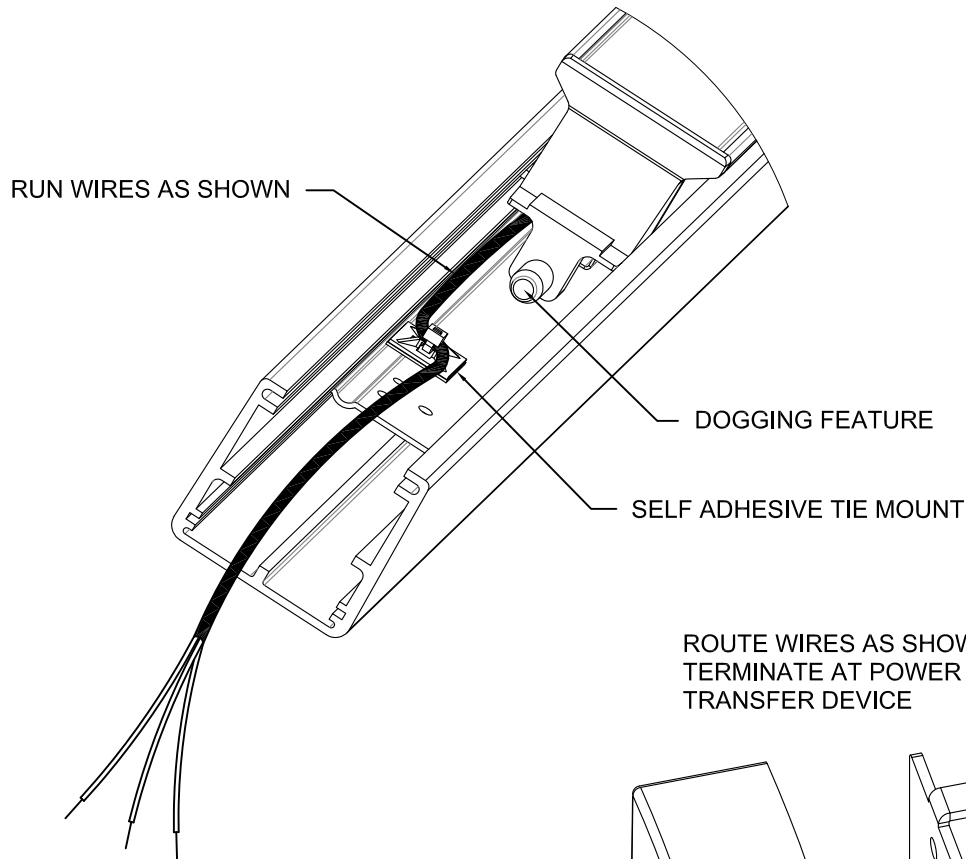
- YELLOW WIRE: COMMON
- RED WIRE: NORMALLY OPEN
- GRAY WIRE: NORMALLY CLOSED
- WIRE GAUGE: #22 AWG



INSTALLATION INSTRUCTIONS

- STEP 1: REMOVE FOUR SCREWS AND HEAD COVER FROM DEVICE.
- STEP 2: SEPERATE ACTUATING BAR AND HEAD ASSEMBLY FROM DEVICE BODY.
- STEP 3: REMOVE 2 EXISTING FLAT HEAD SCREWS FROM REAR ACTUATING BAR MECHANISM AS SHOWN.
- STEP 4: PLACE SWITCH ASSEMBLY BETWEEN THE TOP OF BASEPLATE AND ACTUATING BAR MECHANISM.
- STEP 5: REPLACE 2 EXISTING FLAT HEAD SCREWS AND TIGHTEN.
- STEP 6: CHECK FOR PROPER SWITCH ACTIVATION BY FULLY DEPRESSING ACTUATING BAR FOR SWITCH CONTACT ACTIVATION.

- STEP 7: SECURE THE SELF ADHESIVE TIE MOUNT TO THE BASEPLATE. KEEP THE TIE MOUNT TO THE SIDE AS SHOWN AND MAKE SURE THAT THE DOGGING FEATURE LOCATED ON THE END OF ACTUATING BAR DOES NOT INTERFERE WITH THE TIE MOUNT.
- STEP 8: RUN THE WIRES ALONG THE SIDE OF THE BASEPLATE AS SHOWN. ROUTE WIRES FROM THE SIDE TO THE CENTER AS SHOWN.
- STEP 9: 1/2" DIAMETER HOLE MUST BE PROVIDED IN END COVER MOUNTING BRACKET FOR WIRE ACCESS TO POWER TRANSFER DEVICE.
- STEP 10: MAKE SURE COLOR CODE FOR WIRES IS USED FOR PROPER HOOK-UP OF SWITCH CONTACTS.
- STEP 11: REASSEMBLE DEVICE AND FOLLOW THE STANDARD INSTALLATION INSTRUCTIONS FOR DEVICE MOUNTING.



PROVIDE 1/2" DIAMETER HOLE IN END COVER MOUNTING BRACKET FOR WIRE ACCESS.

