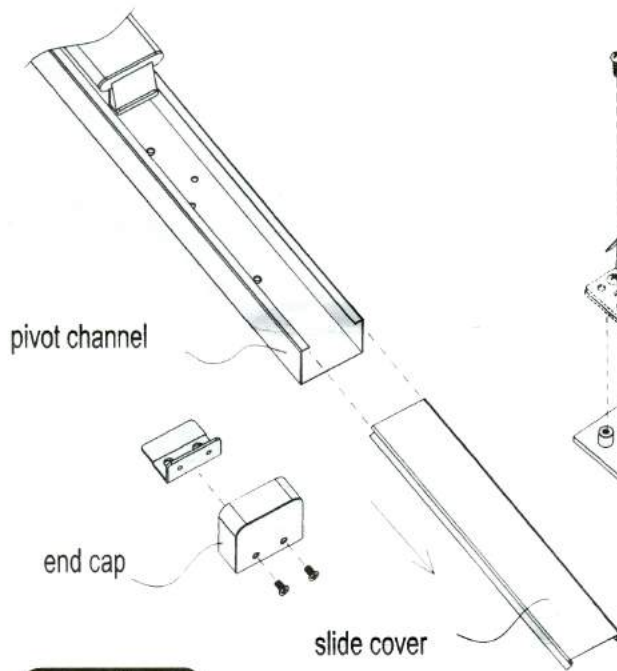


# 2000 Series Exit Alarm Kit Installation Instructions

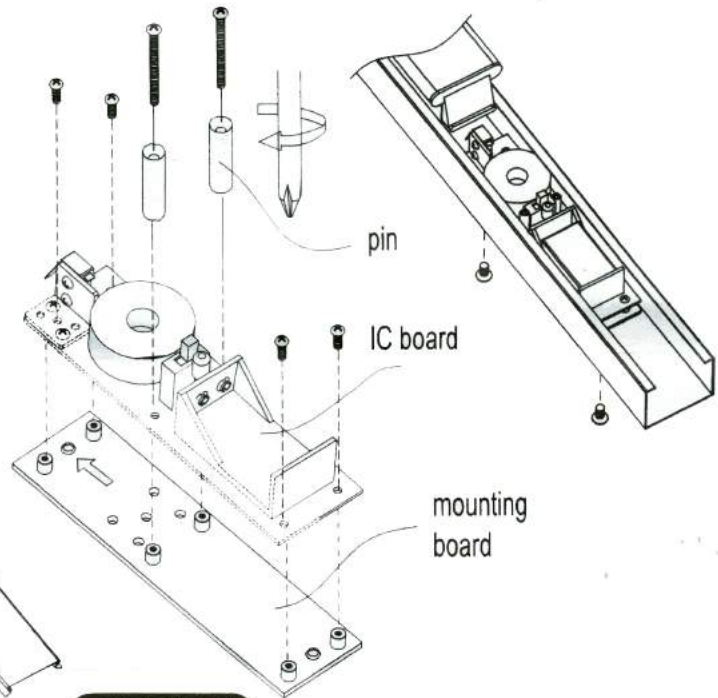
## STEP 1

Remove end cap,  
slide cover and 2 screws.



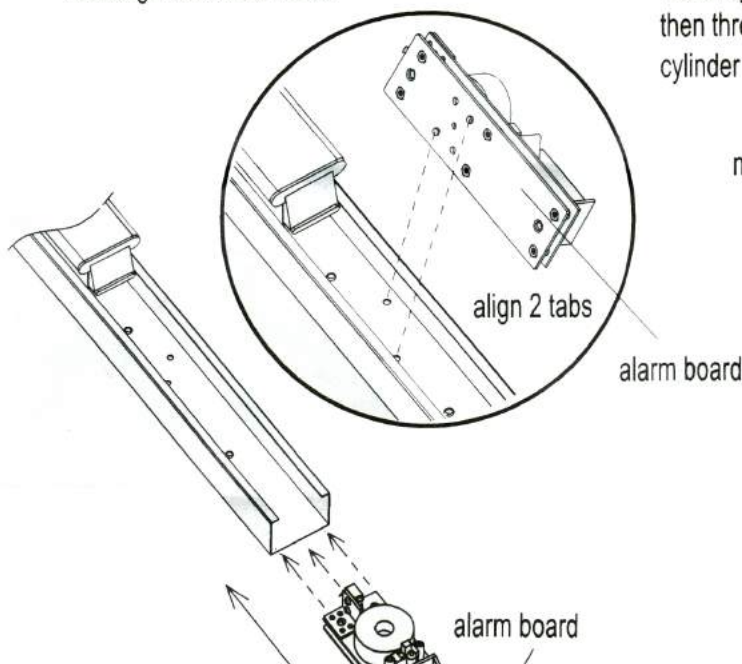
## STEP 2

Assemble IC board and mounting board by tightening up 6 screws.  
Tightening up 2 pins.



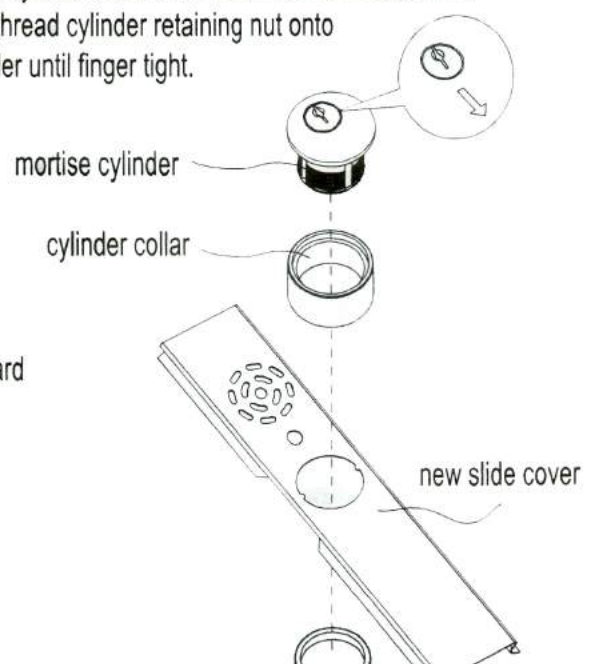
## STEP 3

Insert the alarm board into the pivot channel  
and align the screw holes.



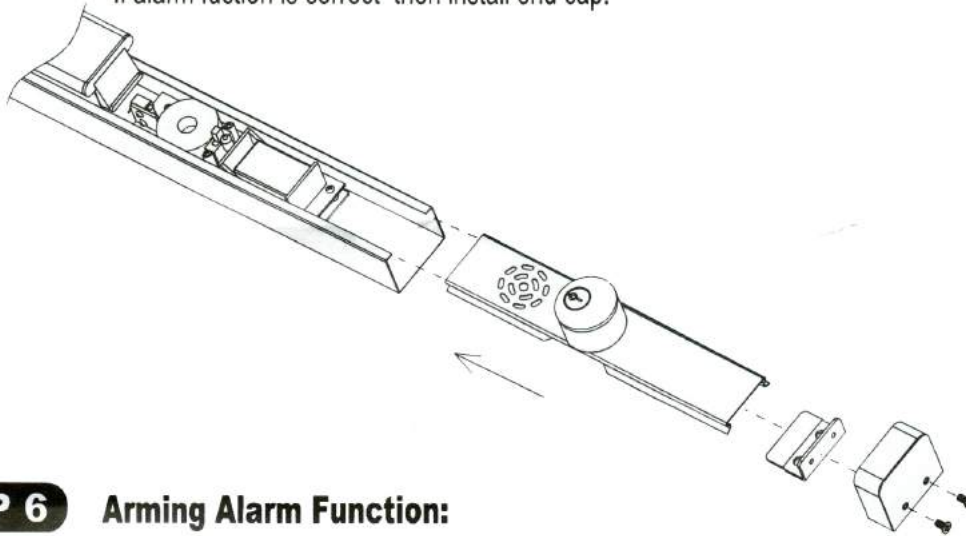
## STEP 4

Install battery.  
Install cylinder collar and insert into new slide cover.  
then thread cylinder retaining nut onto  
cylinder until finger tight.



## STEP 5

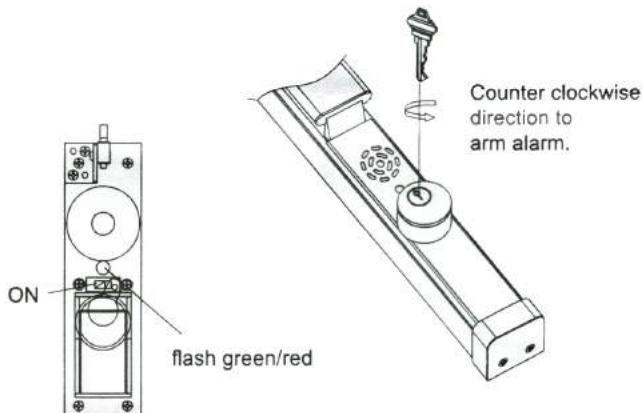
Insert new assembled slide cover into the pivot channel and then test operation of alarm function. If alarm function is correct then install end cap.



## STEP 6 Arming Alarm Function:

- A. Turn key in counter clockwise direction. A chirp sound will be heard and the visual indicator will flash red. The alarm unit will flash green once a second for 10 seconds allowing passage through the door before the alarm goes into armed position which is indicated by another chirp and a flash of green/red.
- B. The armed position will be indicated by a green flash of light approximately every 20 to 30 seconds.
- C. When the push bar is depressed, the alarm will sound continuously until the alarm is reset by turning key clockwise to turn off the alarm function and then counter clockwise to turn it back on. If the alarm is not manually reset it will reset itself after 10 minutes.
- D. LOW BATTERY ALERT: Indicated by red flash & audible chirp every 5 seconds. If this occurs, Replace battery. Battery life approximately 1 year.

### A Arming

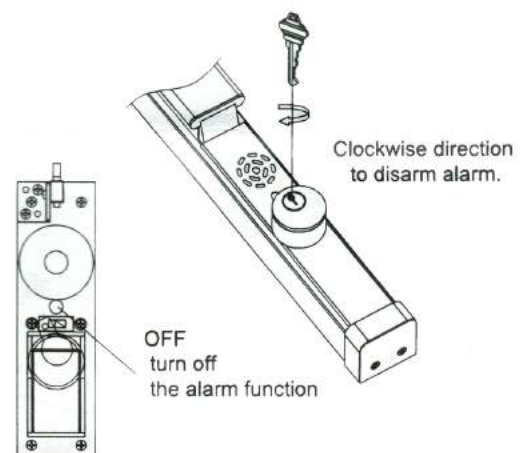


### B Armed

Green flash of light approximately every 20 to 30 seconds when in armed position.

### C Disarming

Depressed push bar activates alarm.



## STEP 7

Apply "Emergency Exit - Alarm Will Sound" decal on push bar or on the door above exit device. Make sure surface of push bar or door is clean for good adhesion.

