

UL-AFB-M UL Auto Flush Bolts (Metal Doors) Installation Instructions



REVISIONS			
LTR	DESCRIPTION	DATE	CHECKED
B	REVISED	9 - 10 - 90	IJS
C	REVISED	9 - 21 - 95	IJS
D	SEE SHEET 2	7 - 09 - 13	JG

INSTALLATION INSTRUCTIONS

1. PREPARE INACTIVE DOOR AS SHOWN IN FIGURE 1. (TOP CORNER SHOWN)
2. PREPARE FRAME FOR ANSI A115.4 STRIKE AS IN FIGURE 2. LOCATE STRIKE TO LINE UP WITH BOLT. INSTALL STRIKE.
3. INSTALL TRIMCO 3910 OR 3911 DUST PROOF STRIKE IN FLOOR. (TEMPLATE AVAILABLE) OR ANSI A116.4 STRIKE SHOWN IN FIGURE 2. LOCATE STRIKE TO LINE UP WITH BOLT. INSTALL STRIKE.
4. INSTALL TRIMCO 3810 AS SHOWN IN FIGURE 3.
5. HANG DOOR.
6. ADJUST BOLT TO PROVIDE 1/8" CLEARANCE BETWEEN BOLT AND STRIKE. TO ADJUST BOLT, REMOVE GUIDE. ROTATE BOLT END UP OR DOWN AS REQUIRED, THEN REPLACE GUIDE.
7. INSTALL TRIGGER STRIKE ON ACTIVE DOOR. TRIGGER STRIKE TO LINE UP WITH CENTERLINE OF TRIGGER AS SHOWN IN FIGURE 4. INSTALL STRIKE USING 2 #8 X 1" SMS. SHIM AS REQUIRED TO PROVIDE 3/32" CLEARANCE BETWEEN INACTIVE DOOR AND TRIGGER STRIKE.

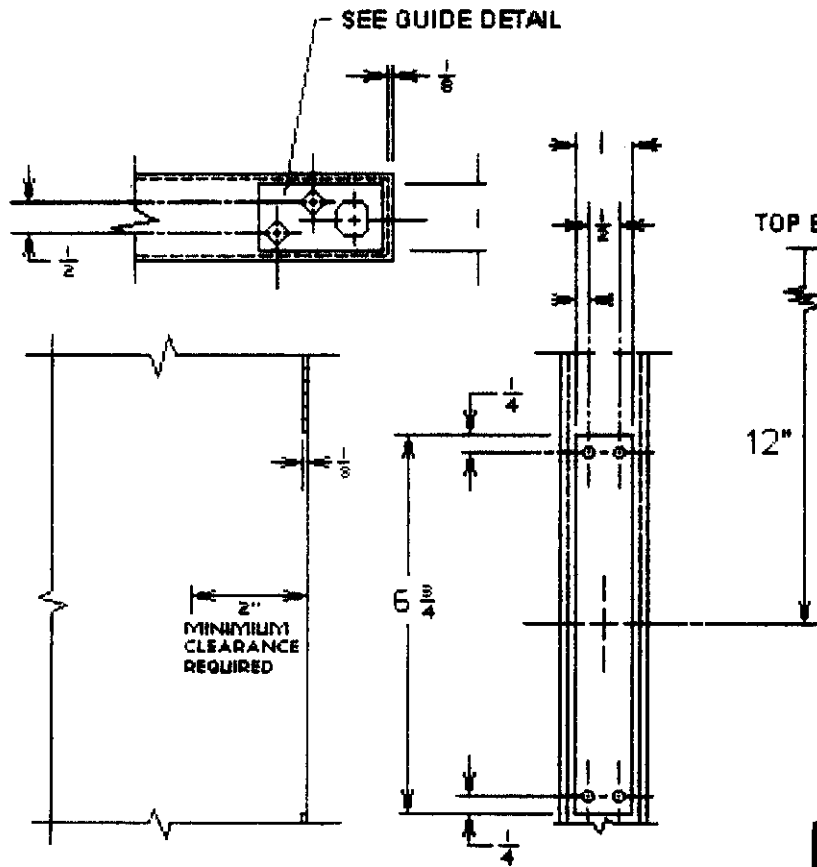


FIGURE 1

NOTE:
DIMENSIONS SHOWN ARE FOR TOP FLUSH BOLT. FOR BOTTOM FLUSH BOLT INVERT AND MEASURE FROM BOTTOM EDGE OF DOOR USE TRIMCO 3910 OR 3911 DUST PROOF STRIKE WITH BOTTOM BOLT.



PATENT # 5076620

DWG NO. 10198 1 OF 2

Not to scale 1:1. Measurements are for reference only. Not a drilling template.

NOTE.
 DIMENSIONS SHOWN ARE FOR TOP
 FLUSHBOLT. FOR BOTTOM FLUSHBOLT INVERT
 AND MEASURE FROM BOTTOM EDGE OF
 DOOR. USE TRIMCO 3910 OR 3911 DUST
 PROOF STRIKE WITH BOTTOM BOLT

REVISIONS

LTR	DESCRIPTION	DATE	CHECKED
B	REVISED	9-10-90	IJS
C	REVISED	9-22-95	IJS
D	5/16 DIM WAS 1/8; 3/4 DIM WAS 3/8	7-09-13	JG

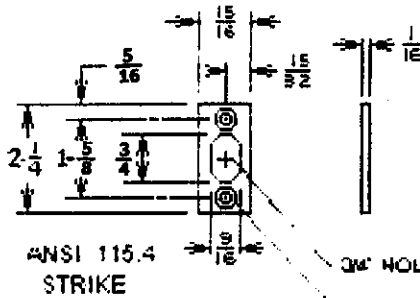


FIGURE 2

- 2 - 8-32 x 3/4" FHMS x WS
- 2 - #8 x 1" SMS
- 2 - #8 x 1" RAWL PLUGS

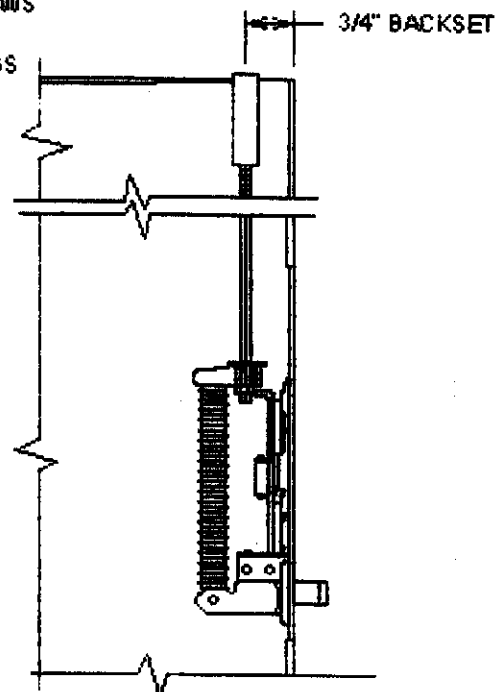
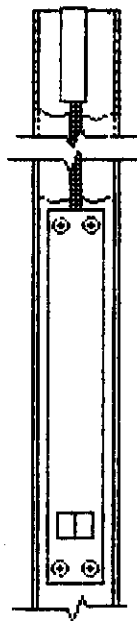
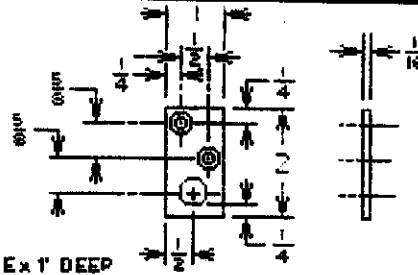


FIGURE 3

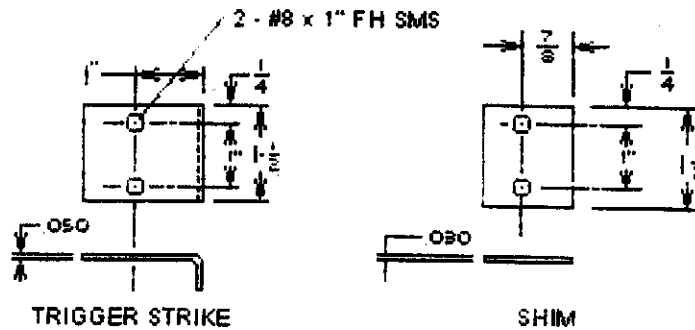
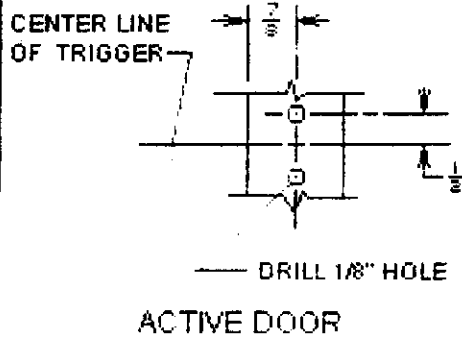


FIGURE 4

DWG NO. 10198 2 OF 2

Not to scale 1:1. Measurements are for reference only. Not a drilling template.