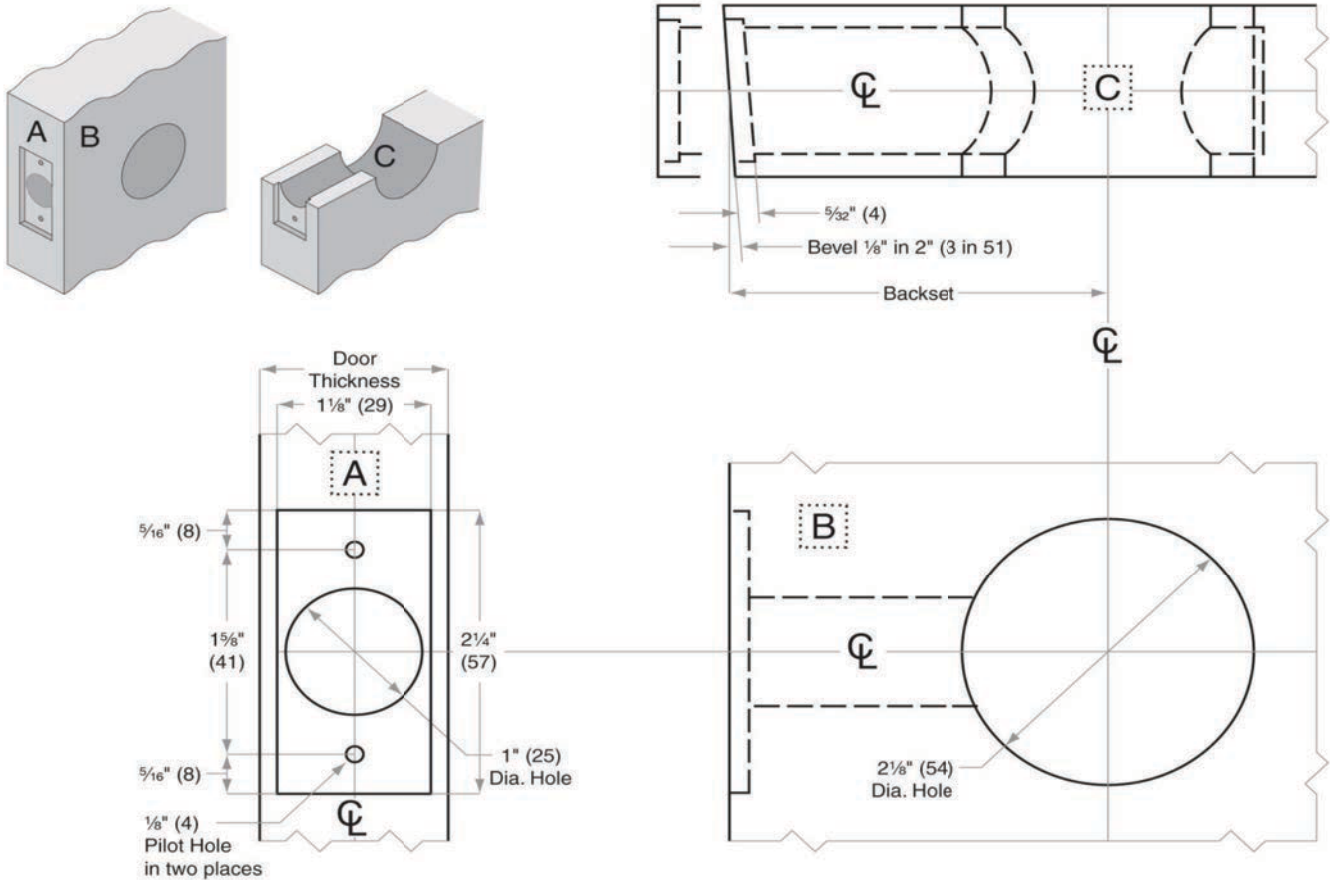


D1 Series Extra Heavy Duty Dead Bolt Lock



<p>Template No. D.234</p>	<p>Design Hardware</p> <p>D1 & D2 Series Deadbolts</p>	<p>Functions All Functions w/ Std. 2 3/4" Latch</p>
---	--	--

Not to scale 1:1. Measurements are for reference only. Not a drilling template.