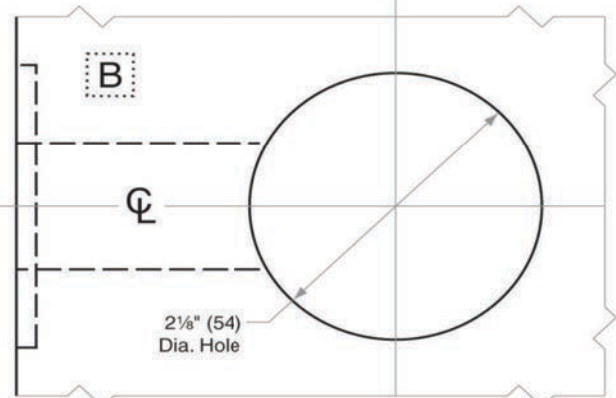
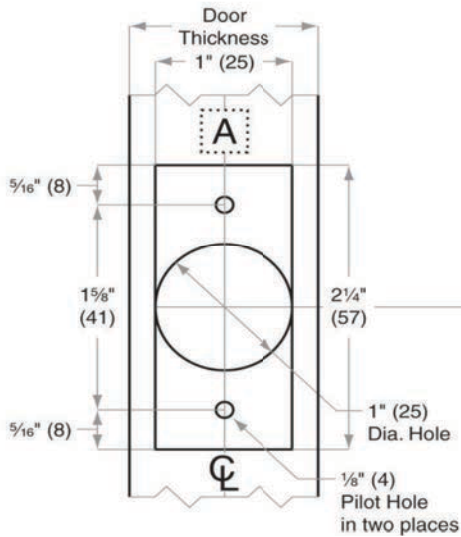
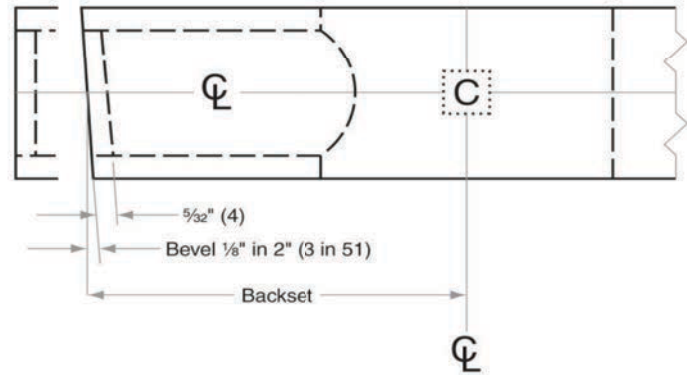
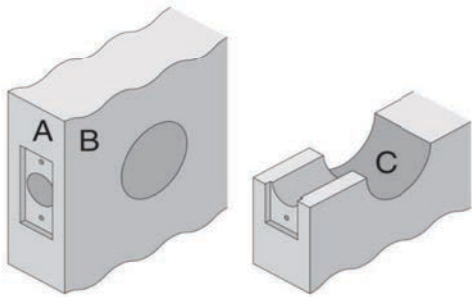


# D1 Series Extra Heavy Duty Dead Bolt Lock



<p><b>Template No.</b> <b>D.238</b></p>	<p><b>Design Hardware</b></p> <p><b>D1 &amp; D2 Series Deadbolts</b></p>	<p><b>Functions</b> <b>All Functions</b></p> <p><b>w/ Opt. 2 3/8" Latch</b></p>
---	--	---

Not to scale 1:1. Measurements are for reference only. Not a drilling template.