

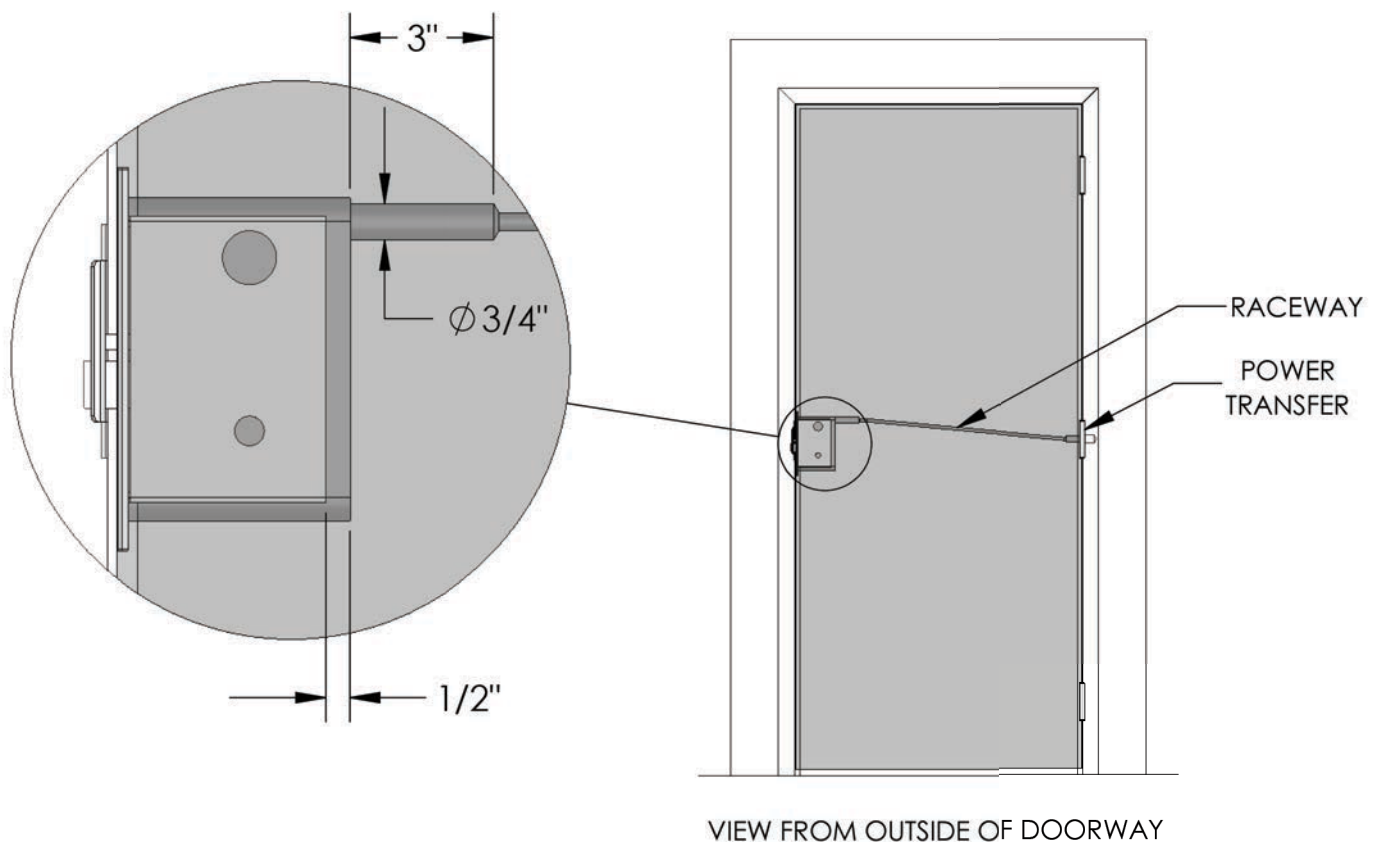
E-M Series Electric Mortise Lock Template "C" Configuration Door Preparation



Electric Monitor
Electric Locking / Unlocking

Notes:

1. This door preparation is in addition to the door preparation shown on the manufacturer's mechanical mortise lock template.
2. The door manufacturer to provide the door with adequate construction and reinforcement for proper support and installation of the door hardware.
3. The door manufacturer to provide a $\phi 3/8$ " raceway through the door between the mortise lock and the low voltage power transfer for wire routing.



Not to scale 1:1. Measurements are for reference only. Not a drilling template.