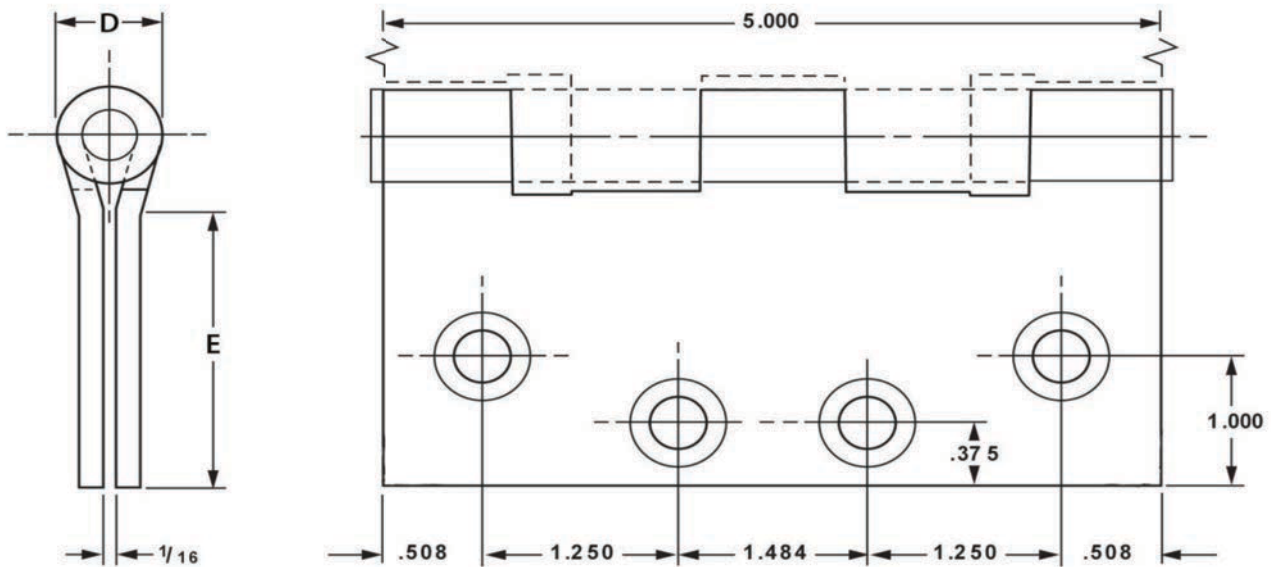


Full Mortise Template Butt Hinges - 5" x 4.5" & 5" x 5"



DO NOT SCALE

Template # : BB5-SW-5x4.5 / BB5-HW-5x4.5 / BB5-HW-5x5

Hinge Number	Gauge of Metal	(D) Outside Diameter	Distance From Edge of Leaf to Swage Line (E)
BB5 - 5" x 4 1/2"	0.145	0.669	1 13/16
BB5-HW - 5" x 4 1/2"	0.19	0.748	1 23/32
BB5-HW- 5" x 5"	0.19	0.748	1 31/32

Machine Screw Size - 1/2" x 12-24 F.H.
Wood Screw Size - 1 1/4" x No. 12 F.H.

This template conforms with ANSI standard A156.7

Not to scale 1:1. Measurements are for reference only. Not a drilling template.

Always consult dormakaba's website for the latest instructions at designhardware.net or call 1-800-392-5209.

Design Hardware is a trademark of dormakaba USA Inc. ©2021 All rights reserved.

T93287_A