

REVISIONS

LTR	DESCRIPTION	DATE	CHECKED
B	REVISED	9 - 10 - 90	IJS
C	REVISED	9 - 21 - 95	IJS
D	SEE SHEET 2	7 - 09 - 13	JG

INSTALLATION INSTRUCTIONS

1. PREPARE INACTIVE DOOR AS SHOWN IN FIGURE 1. (TOP CORNER SHOWN)
2. PREPARE FRAME FOR ANSI A115.4 STRIKE AS IN FIGURE 2. LOCATE STRIKE TO LINE UP WITH BOLT. INSTALL STRIKE.
3. INSTALL TRIMCO 3910 OR 3911 DUST PROOF STRIKE IN FLOOR. (TEMPLATE AVAILABLE) OR ANSI A115.4 STRIKE SHOWN IN FIGURE 2. LOCATE STRIKE TO LINE UP WITH BOLT. INSTALL STRIKE.
4. INSTALL TRIMCO 3810 AS SHOWN IN FIGURE 3.
5. HANG DOOR.
6. ADJUST BOLT TO PROVIDE 1/8" CLEARANCE BETWEEN BOLT AND STRIKE. TO ADJUST BOLT, REMOVE GUIDE. ROTATE BOLT END UP OR DOWN AS REQUIRED, THEN REPLACE GUIDE.
7. INSTALL TRIGGER STRIKE ON ACTIVE DOOR. TRIGGER STRIKE TO LINE UP WITH CENTERLINE OF TRIGGER AS SHOWN IN FIGURE 4. INSTALL STRIKE USING 2 #8 X 1" SMS. SHIM AS REQUIRED TO PROVIDE 3/32" CLEARANCE BETWEEN INACTIVE DOOR AND TRIGGER STRIKE.

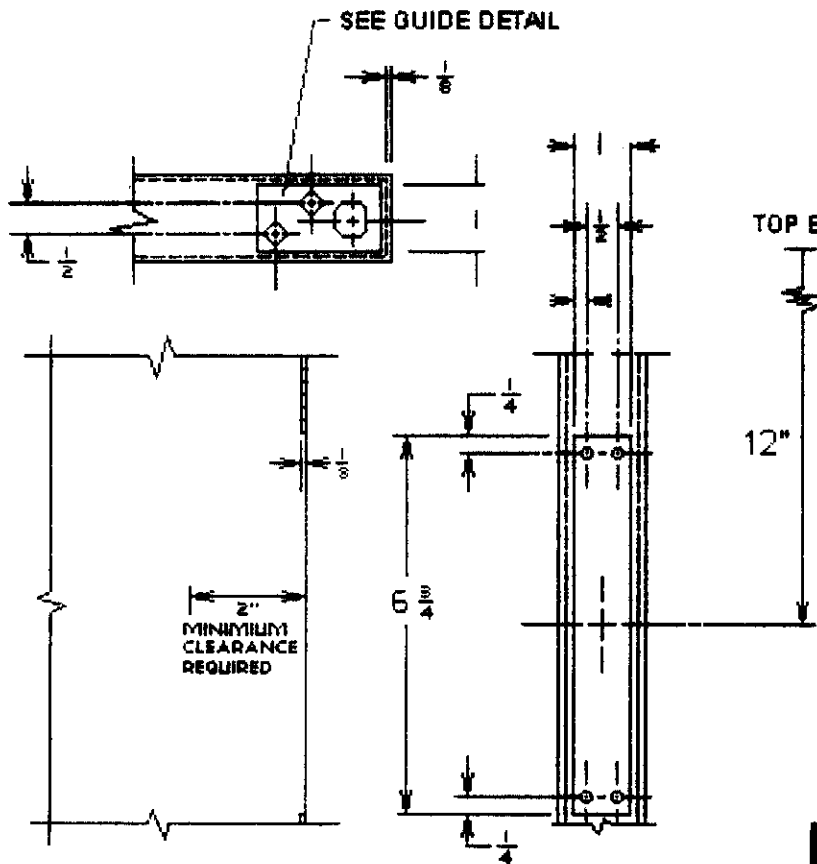


FIGURE 1

NOTE:

DIMENSIONS SHOWN ARE FOR TOP FLUSHBOLT. FOR BOTTOM FLUSH BOLT INVERT AND MEASURE FROM BOTTOM EDGE OF DOOR USE TRIMCO 3910 OR 3911 DUST PROOF STRIKE WITH BOTTOM BOLT.



PATENT #5076620

DWG NO. 10198 1 OF 2



3528 Emery Street, P.O. Box 23277  
Los Angeles, CA 90023, USA

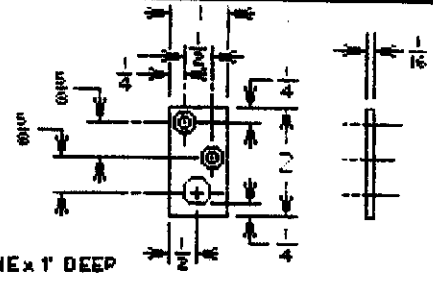
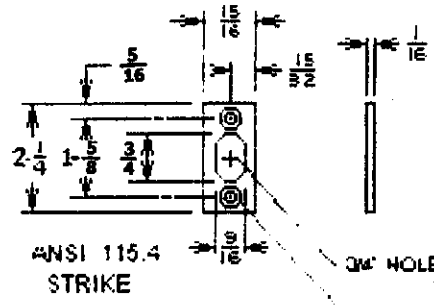
3810  
INSTALLATION - AUTO  
FLUSHBOLT (METAL DOOR)

DRAWN BY: L.R.

Book No. \_\_\_\_\_ Date Required: \_\_\_\_\_  
This template is provided for use only on the job for which it was requested. Trimco reserves the right to make design changes without notice.

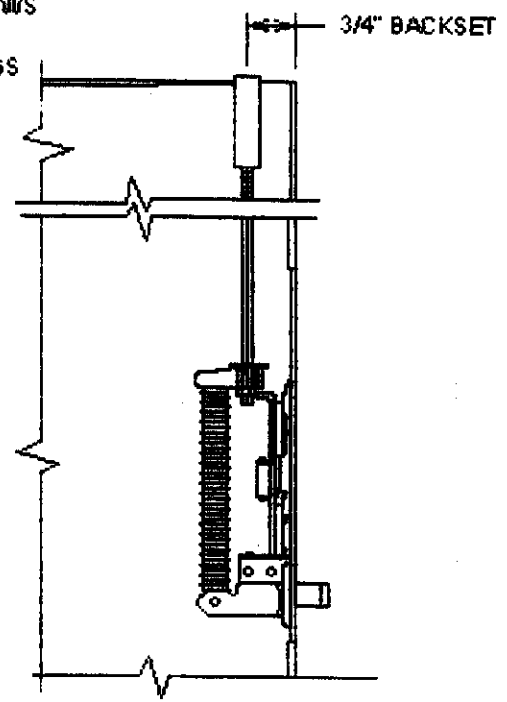
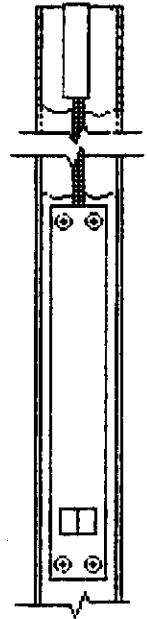
NOTE:  
 DIMENSIONS SHOWN ARE FOR TOP  
 FLUSHBOLT. FOR BOTTOM FLUSHBOLT INVERT  
 AND MEASURE FROM BOTTOM EDGE OF  
 DOOR. USE TRIMCO 3910 OR 3911 DUST  
 PROOF STRIKE WITH BOTTOM BOLT

REVISIONS			
LTR	DESCRIPTION	DATE	CHECKED
B	REVISED	9-10-90	IJS
C	REVISED	9-22-95	IJS
D	5/16 DIM WAS 1/8; 3/4 DIM WAS 3/8	7-09-13	JG

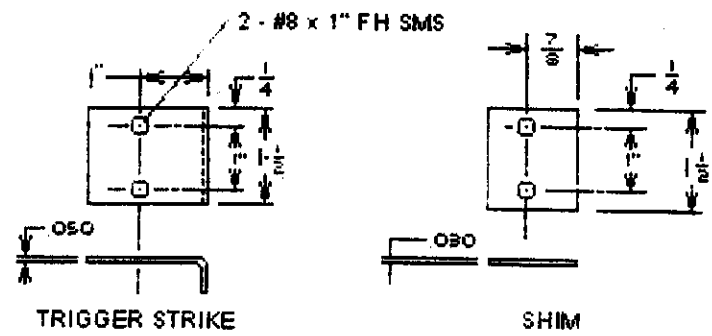
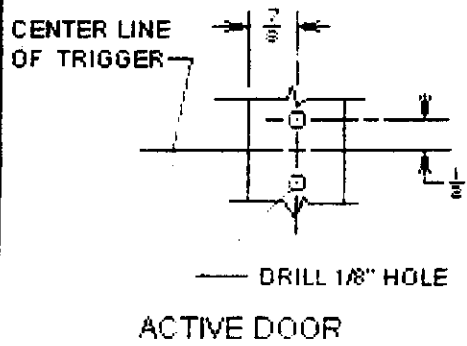


**FIGURE 2**

- 2 - 8-32 x 3/4" FHMS x W/S
- 2 - #8 x 1" SMS
- 2 - #8 x 1" RAWL PLUGS



**FIGURE 3**



**FIGURE 4**