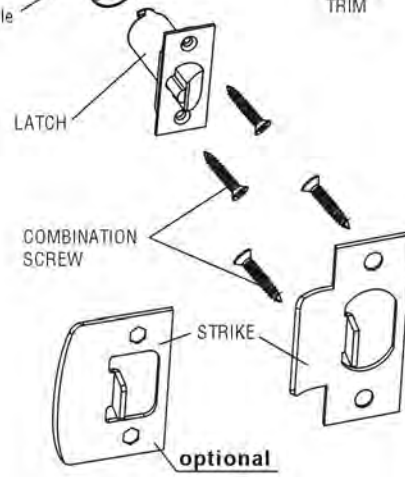
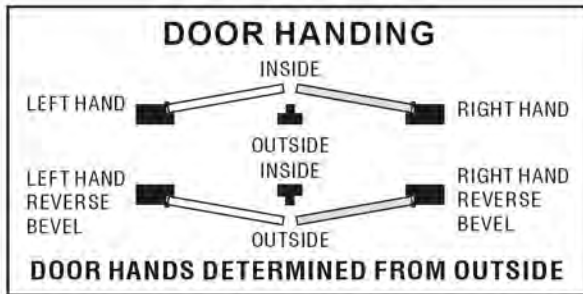


# HOW TO INSTALL THIS CYLINDRICAL LEVERSET

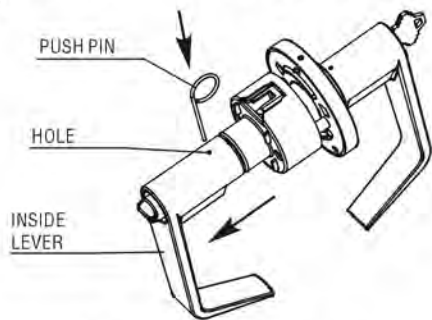
Leverset is set for 1 3/4" thick door -backset 2 3/4"



**New Door Preparation**

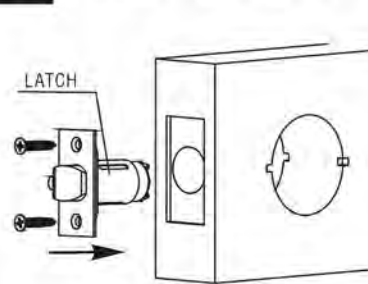
1. Fold template over edge of door and mark holes.
2. Drill a 2-1/8" hole through face of door.
3. Drill a 1" hole in edge of door.
4. Cut 5/32" notches on 2-1/8" hole on both sides of door.
5. Mortise latch unit front  
2-1/4" x 1" x 1/8" for 2-3/8" backset  
or 2-1/4" x 1-1/8" x 1/8" for 2-3/4" backset

## 1 DISASSEMBLE INSIDE LEVER

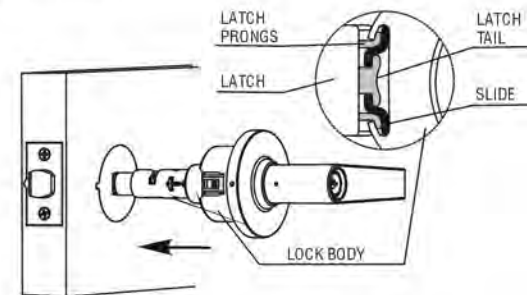


**1A:** Insert push pin into hole to depress catch and remove the lever.

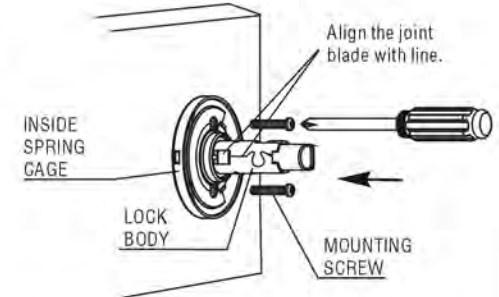
## 2 INSTALL LEVERSET TO DOOR



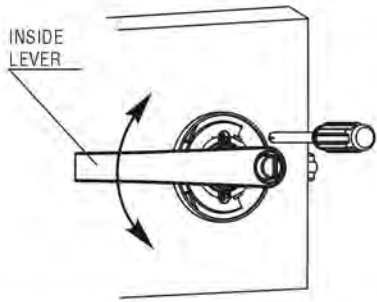
**2A:** Insert latchbolt and secure with combination screws.



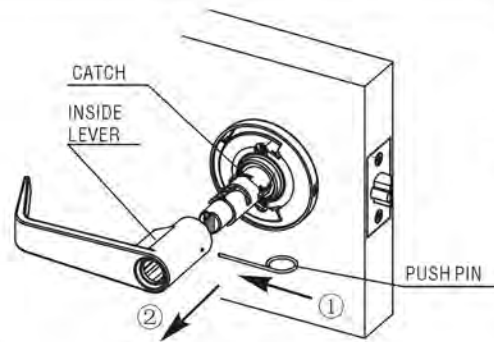
**2B:** Place lock body into position. Make sure that latch prongs engage chassis in housing, and slide engages latch tail.



**2C:** Install inside spring cage. Screws should be hand tightened all the way down with a screwdriver.

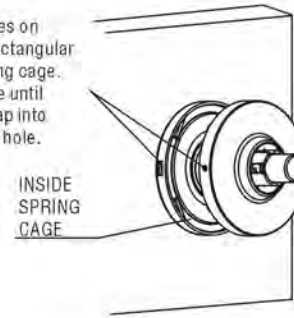


**2D:** Slide inside lever onto spindle and check to see if the rotation is smooth. Adjust the radial clearance between inside spring cage and inside lever if necessary.



**2E:** Remove inside lever using push pin.

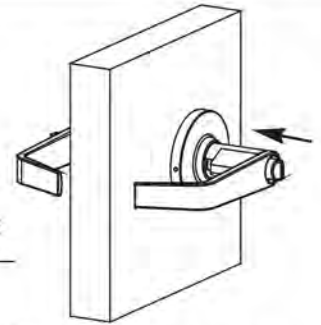
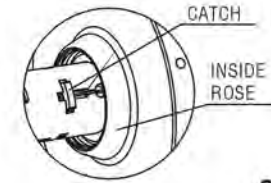
Align dimples on rose with rectangular hole in spring cage. Push in rose until dimples snap into rectangular hole.



**2F:** Install inside rose and make sure inside rose and inside spring cage are tightened.

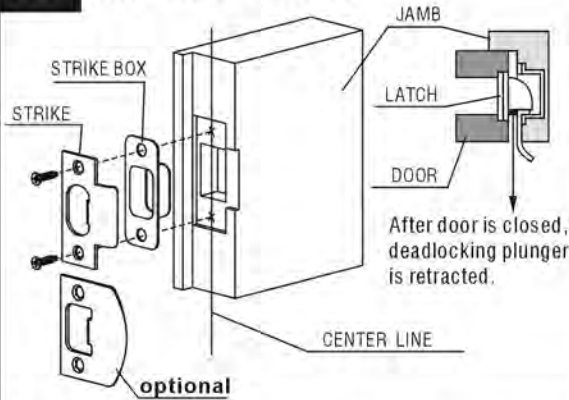
**IMPORTANT**

If the door is thicker than 2", the catch will be covered by inside rose, do not install inside lever and lock.

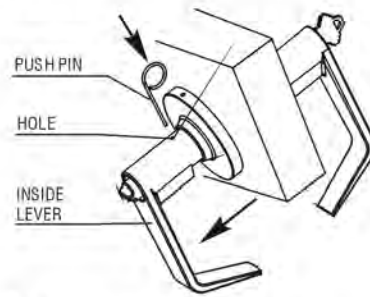


**2G:** Slide lever onto spindle. Push lever completely into place. (Pull on lever to make sure that catch is fully engaged).

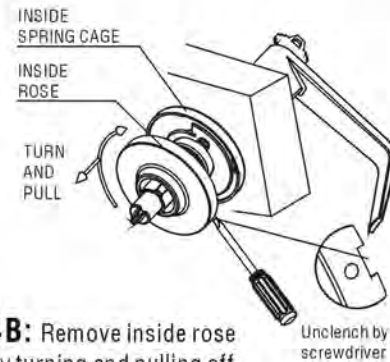
**3 INSTALL STRIKE**



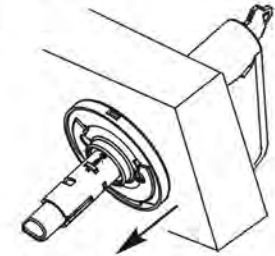
**4 INSTRUCTIONS FOR REMOVING AN INSTALLED LOCK FROM THE DOOR**



**4A:** Insert push pin into hole to depress catch and remove the lever.

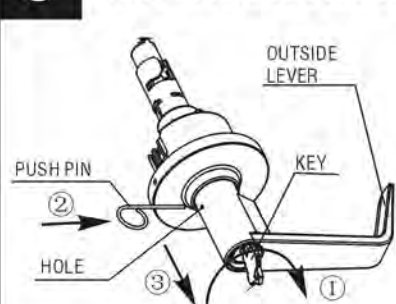


**4B:** Remove inside rose by turning and pulling off.

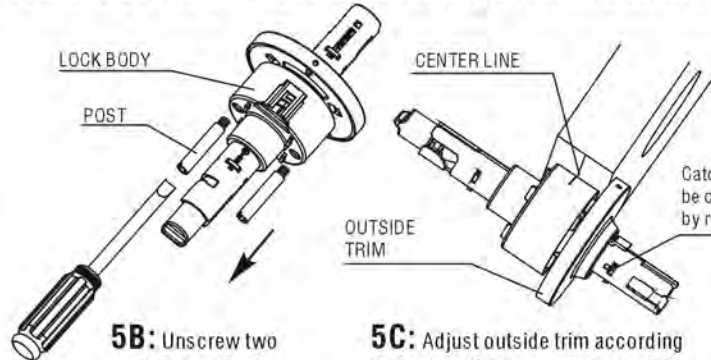


**4C:** Remove mounting screw with screwdriver and inside spring cage.

**5 INSTRUCTIONS FOR ADJUSTING LOCK TO FIT DOOR THICKNESS OTHER THAN 1-3/4"**

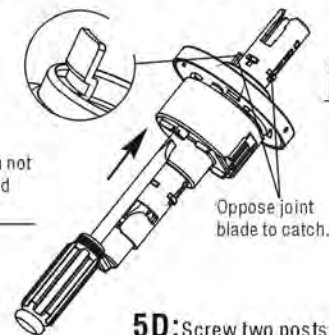


**5A:** Turn key 75° clockwise, insert push pin into hole in outside lever to depress catch. Remove the outside lever.

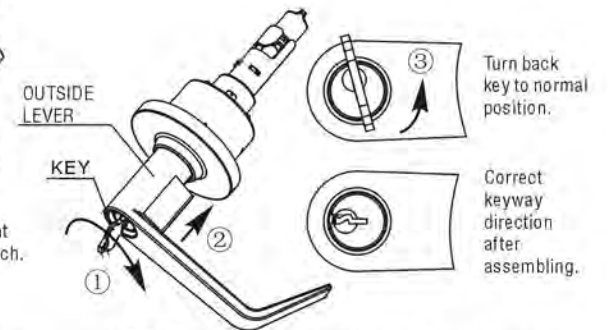


**5B:** Unscrew two posts in lock body by screwdriver.

**5C:** Adjust outside trim according to the door thickness, make sure the lock body at both sides is symmetrical.



**5D:** Screw two posts back in so they hold the outside rose tightly.



**5E:** Turn key approximately 80° clockwise and push the lever all the way onto the spindle and then turn key back to normal position.