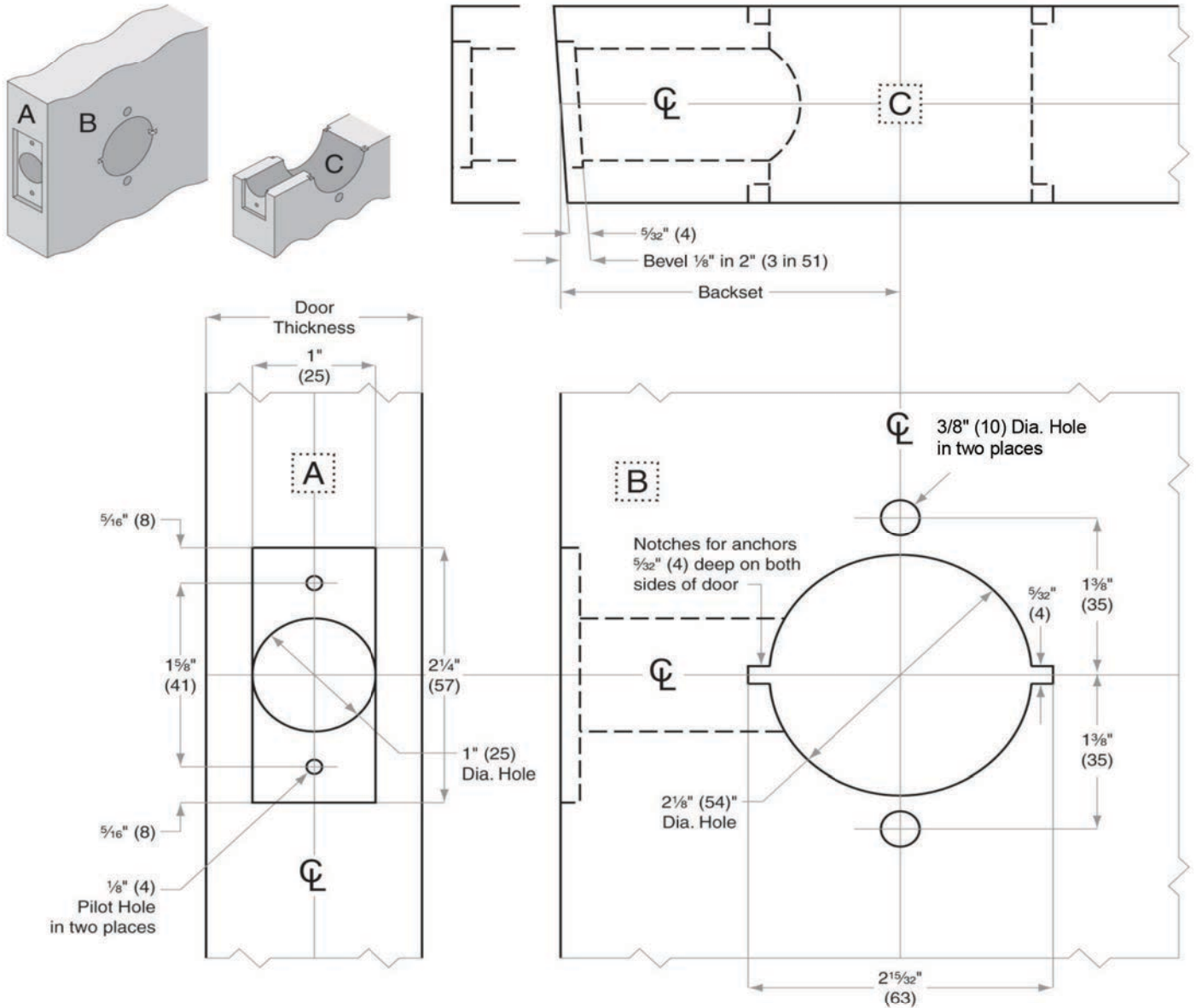




**Design Hardware®**

Ph. 877-258-1262 Fax: 877-888-0150

www.designhardware.net



<p><b>Template No.</b> <b>X.238</b></p>	<p><b>Design Hardware</b> <b>X Series Cylindrical Lockset</b></p>	<p><b>Functions</b> 61, 75, 76, 82, 84, 86, 87, 90, 110 82IC, 84IC, 86IC 87IC, 90IC, 110IC w/ Opt. 2 3/8" backset</p>
---	---	---