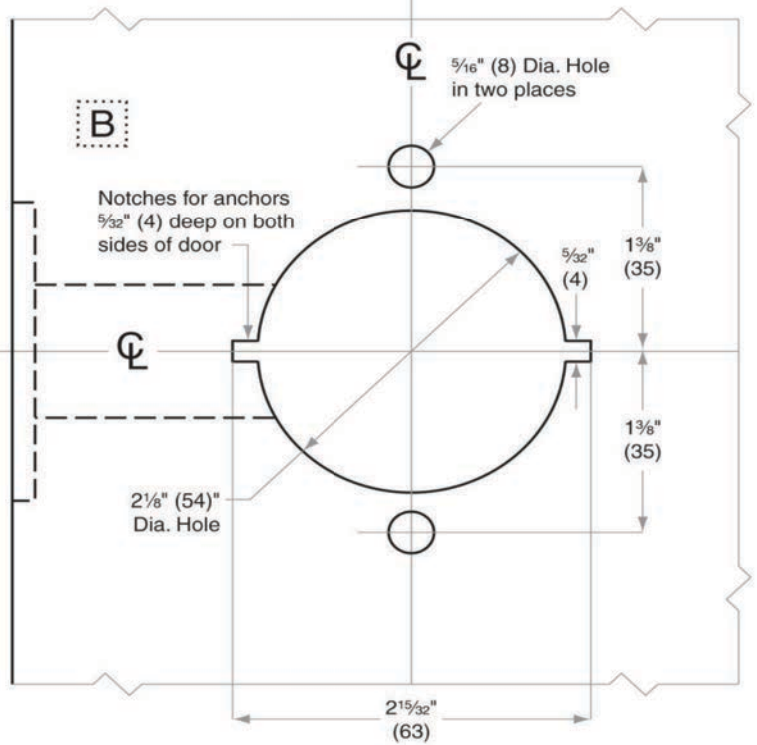
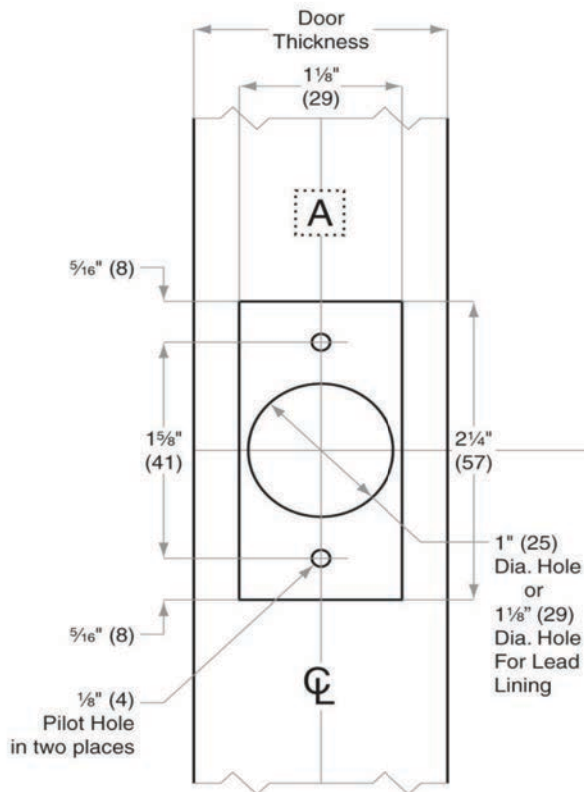
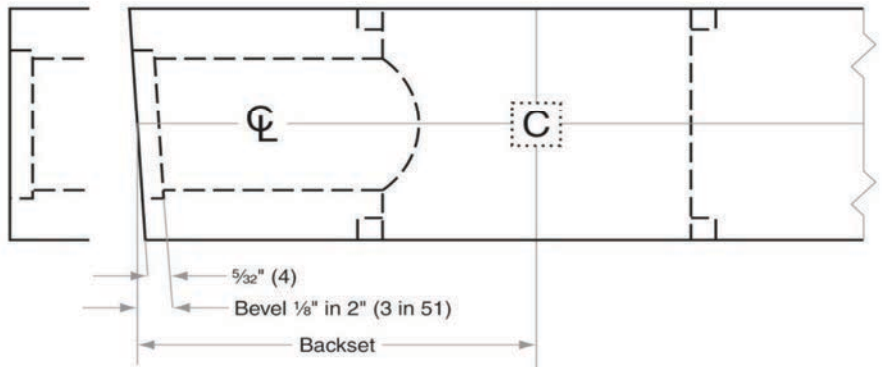
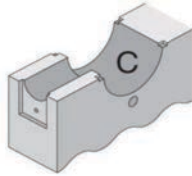
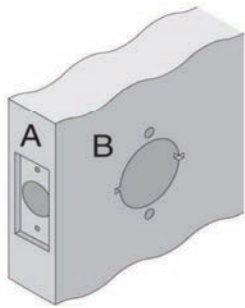




Design Hardware®

Ph. 877-258-1262 Fax: 877-888-0150

www.designhardware.net



<p><u>Template No.</u> Z.234-1/2</p>	<p>Design Hardware Z Series Cylindrical Lockset Optional 1/2" latch with 2 3/4" Backset</p>	<p><u>Functions</u> 75, 76, 82, 84, 86, 87, 90, 110 82IC, 84IC, 86IC, 87IC, 90IC, 110IC</p>
---	--	---