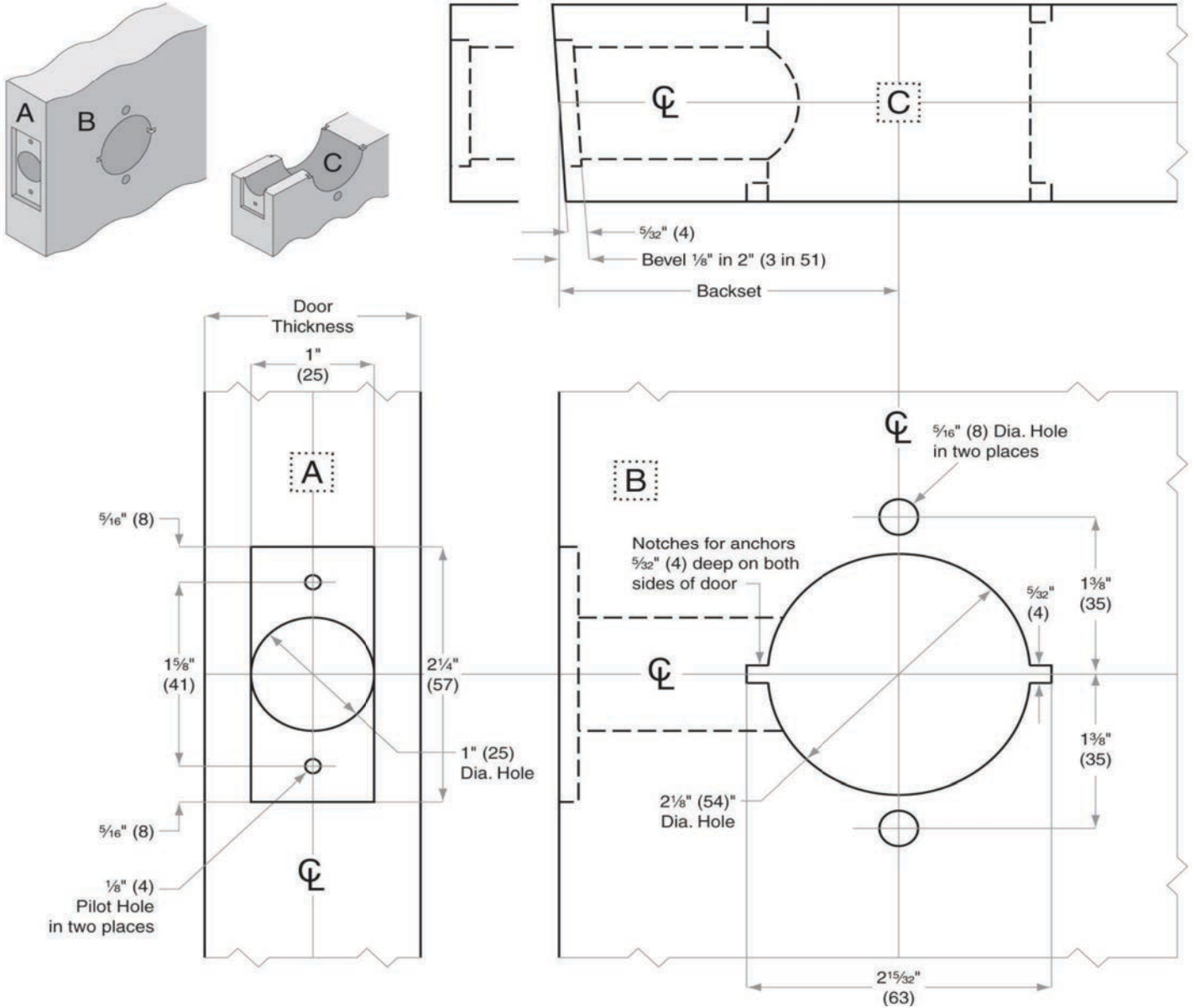




Design Hardware®

Ph. 877-258-1262 Fax: 877-888-0150

www.designhardware.net



<p>Template No. Z.238</p>	<p align="center">Design Hardware Z Series Cylindrical Lockset Optional 1/2" Latch w/ 2 3/8" Backset</p>	<p align="center">Functions 75, 76, 82, 86, 87, 90, 110 821C, 841C, 861C, 871C, 1101C</p>
---	---	--