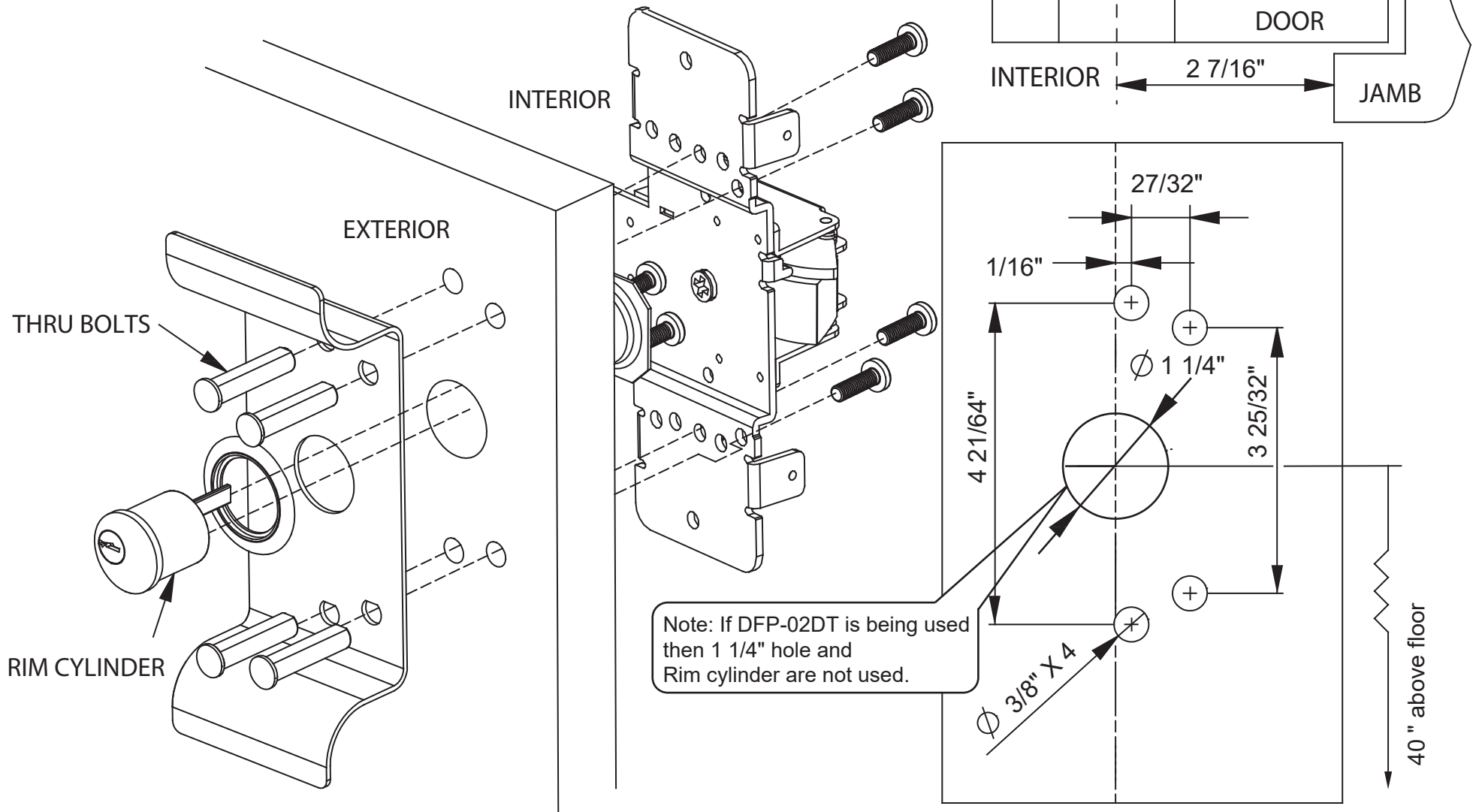


EDT5-DFP Trim for 1000 Series Std. Prep Installation Instructions

DFP-03NL, DFP-02DT

NOTE:
Backset of 2 7/16" from jamb to center or 2 3/4" from door edge to center is acceptable. Strike shim can be used or not used to make adjustments to the roller strikes projection to compensate for doors with different backsets.



Note: If DFP-02DT is being used then 1 1/4" hole and Rim cylinder are not used.