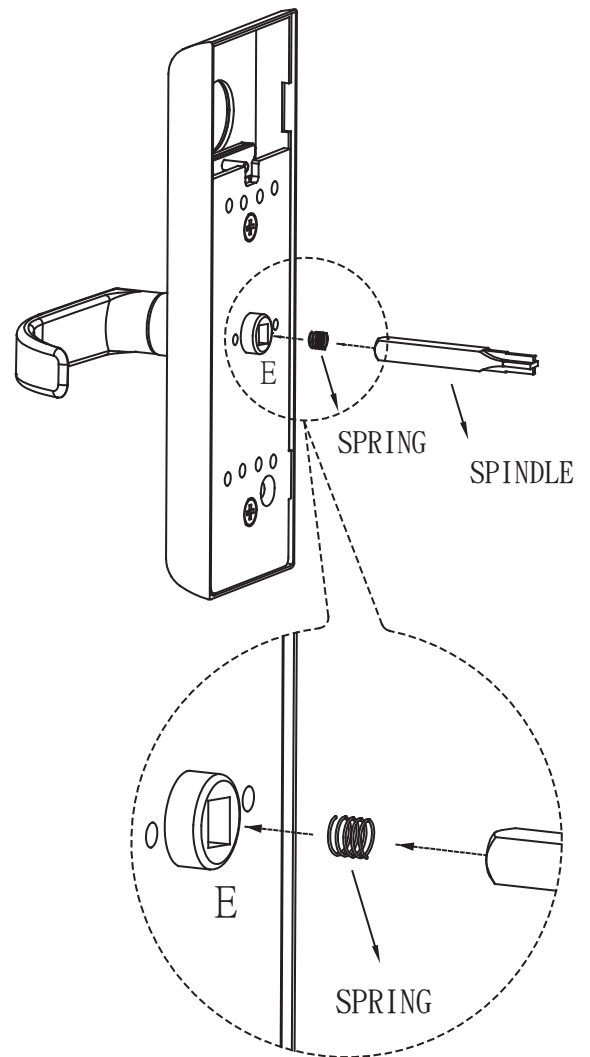
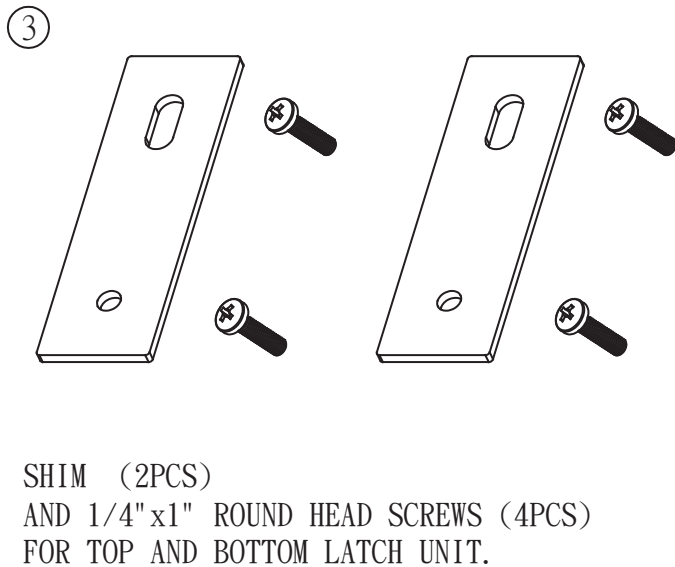
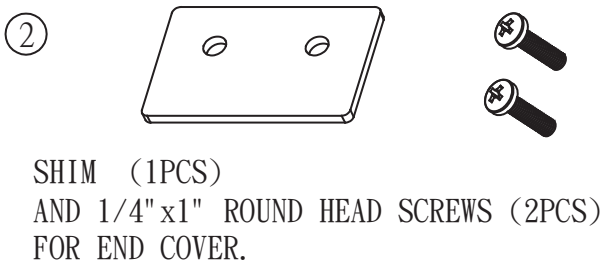
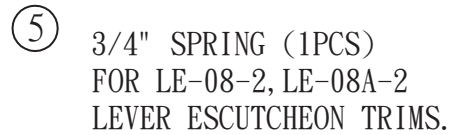
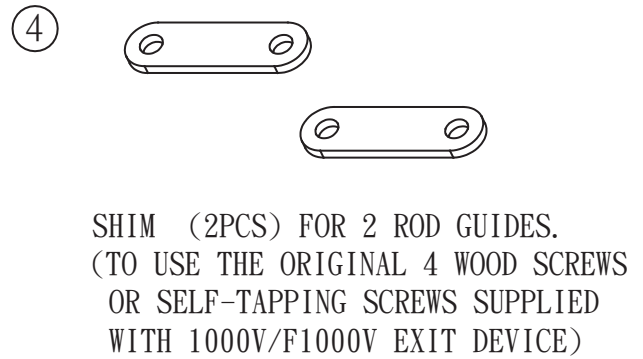
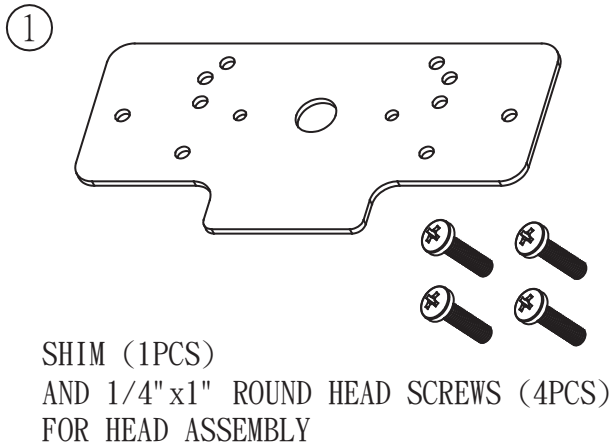


# SHIM KITS FOR 1000V / F1000V SERIES

## A IDENTIFICATION OF PARTS.



## B HOW TO USE SHIM KITS.

- ① If an exit device is installed on a door with a window frame, it requires a shim to offset the height of the window frame.
- ② If the shim is used, the original screws supplied with the exit device may not be long enough. Please use the longer screws included with this shim kit.
- ③ If using the LE-08-2 or LE-08A-2 lever escutcheon trims, please put the spring into hole "E" and insert the spindle. This will insure proper engagement with the exit device.
- ④ Each shim kit is 1/8" in thickness. If 1/4" thickness is required, please use 2 sets of shim kits stacked together.